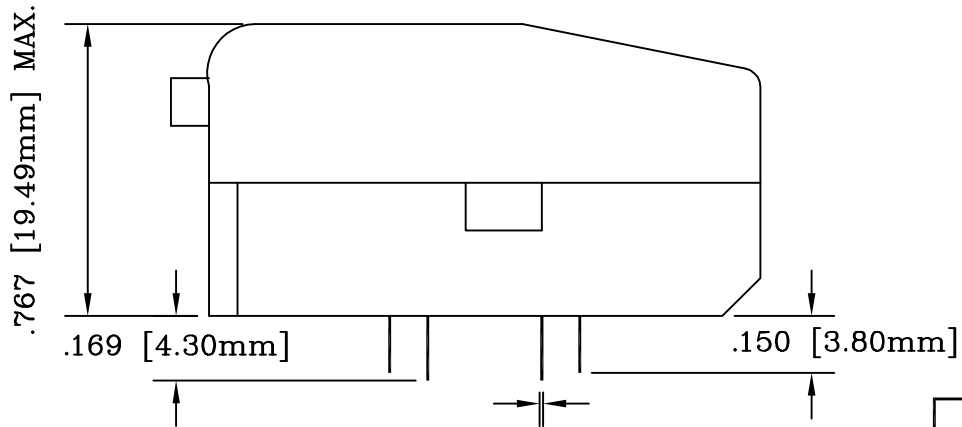
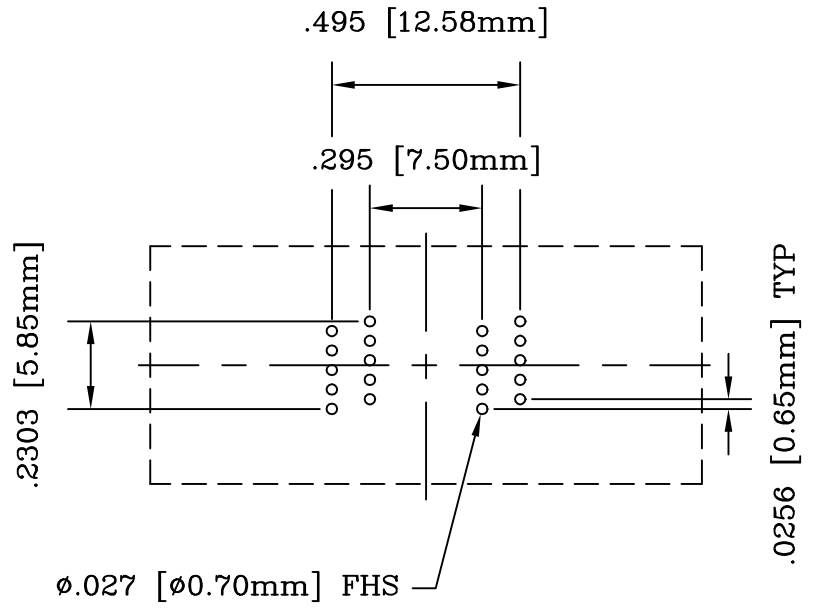
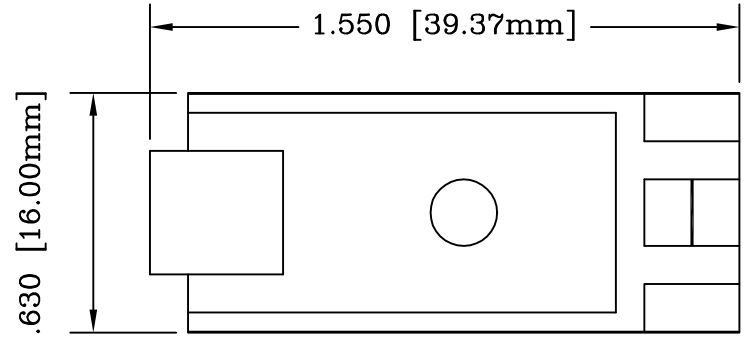


REV	DESCRIPTION	DATE	BY
A	NEW DRAWING	3/7/01	A.F.
B	UPDATED DWG & PACKAGE SIZE	07/03/02	H.N.

SKT987  
DOD 4987

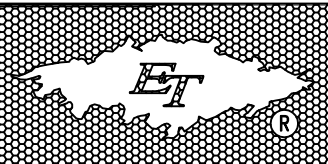


CONTACT TAILS  
.0157 [0.40mm] X  
.0118 [0.30mm]

RECOMMENDED PCB LAYOUT  
AS SEEN FROM TOP OF SOCKET

PACKAGE SPECIFICATIONS	
PIN COUNT	= 20
LEAD PITCH	= 0.65mm
PACKAGE WIDTH	= 4.40mm
ET PACKAGE CODE	= 20-ST03

ALL DIMENSIONS ARE IN INCHES UNLESS OTHERWISE SPECIFIED



**Emulation Technology, Inc.**  
— VLSI and SMT ADAPTERS and ACCESSORIES —  
2344 Walsh Avenue, Bldg.F Santa Clara, Ca 95051  
TEL:(408)982-0660 FAX:(408)982-0664

SHEET: 1 OF 1	DATE: 07/03/02	REVISION: B	<b>ASSEMBLY DRAWING</b>
CHECKED: Perry Munroe	DRAWN: Huy Nguyen	ITEM: S-TSSO-00-020-A	DESCRIPTION: S-TSS-00-020-A
Scale 1:1	DO NOT SCALE DRAWING		