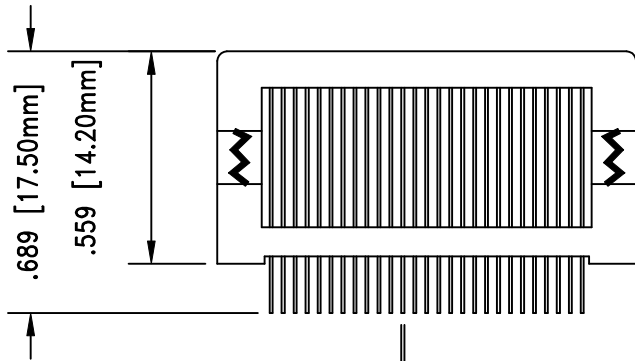
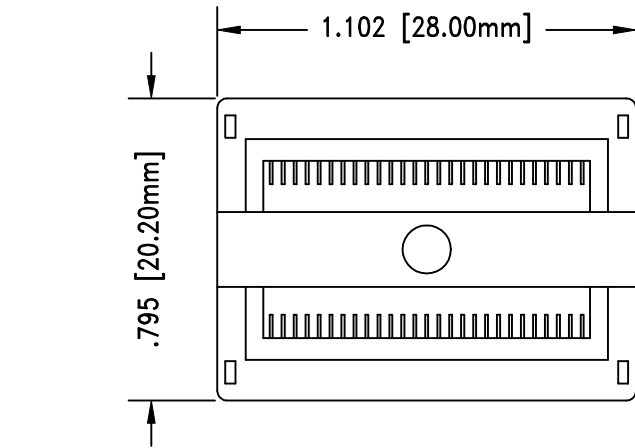
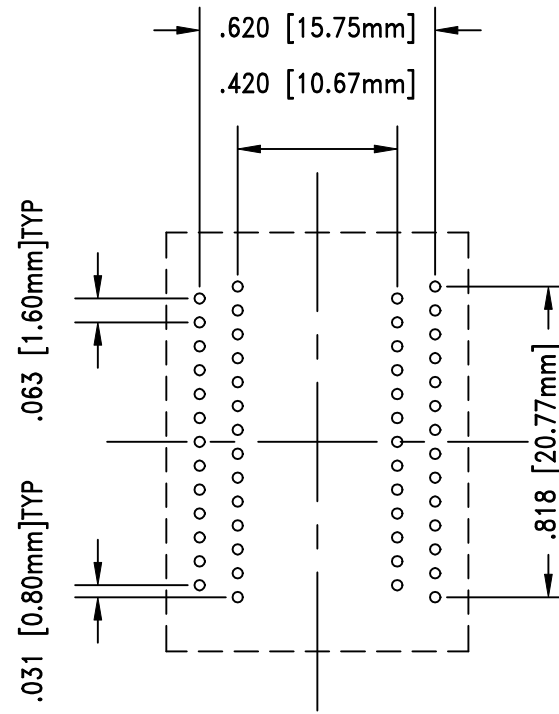


REV	DESCRIPTION	DATE	BY
A	NEW DRAWING	2/21/01	A.F.
B	UPDATED DWG & ADDED PGK CODE	04/08/02	H.N.
C	REPLACE CONTACT TAIL DIMS	01-20-04	M.D.

SKT961
DOD 4961



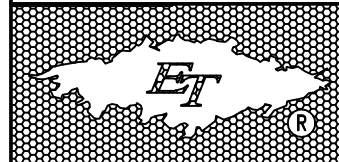
.008" [.20mm]X
.020" [.50mm]



RECOMMENDED PCB LAYOUT
AS SEEN FROM TOP OF SOCKET

PACKAGE SPECIFICATIONS	
PIN COUNT	= 54
LEAD PITCH	= 0.80mm
PACKAGE WIDTH	= 10.16mm
ET PACKAGE CODE	= 54-T212

ALL DIMENSIONS ARE IN INCHES UNLESS OTHERWISE SPECIFIED



Emulation Technology, Inc.

— VLSI and SMT ADAPTERS and ACCESSORIES —

2344 Walsh Avenue, Bldg.F Santa Clara, Ca 95051
TEL:(408)982-0660 FAX:(408)982-0664

SHEET: 1 OF 1	DATE: 04/08/02	REVISION: B	ASSEMBLY DRAWING
CHECKED: Perry Munroe	DRAWN: Huy Nguyen	ITEM: S-SSO-00-054-A	DESCRIPTION: S-SSO-00-054-A
Scale 2:1	DO NOT SCALE DRAWING		