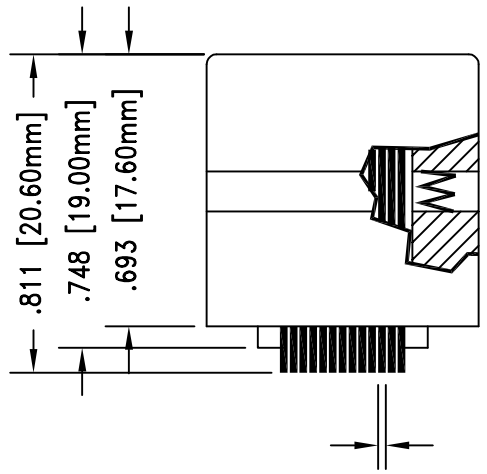
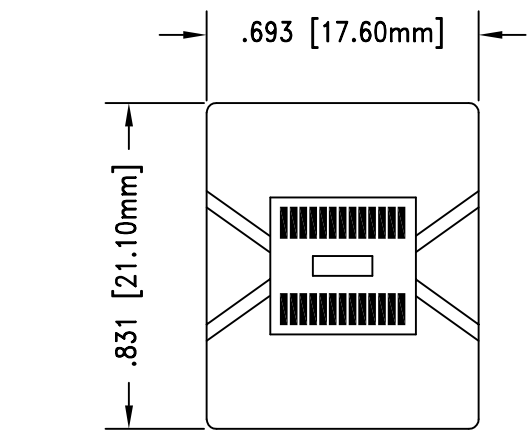


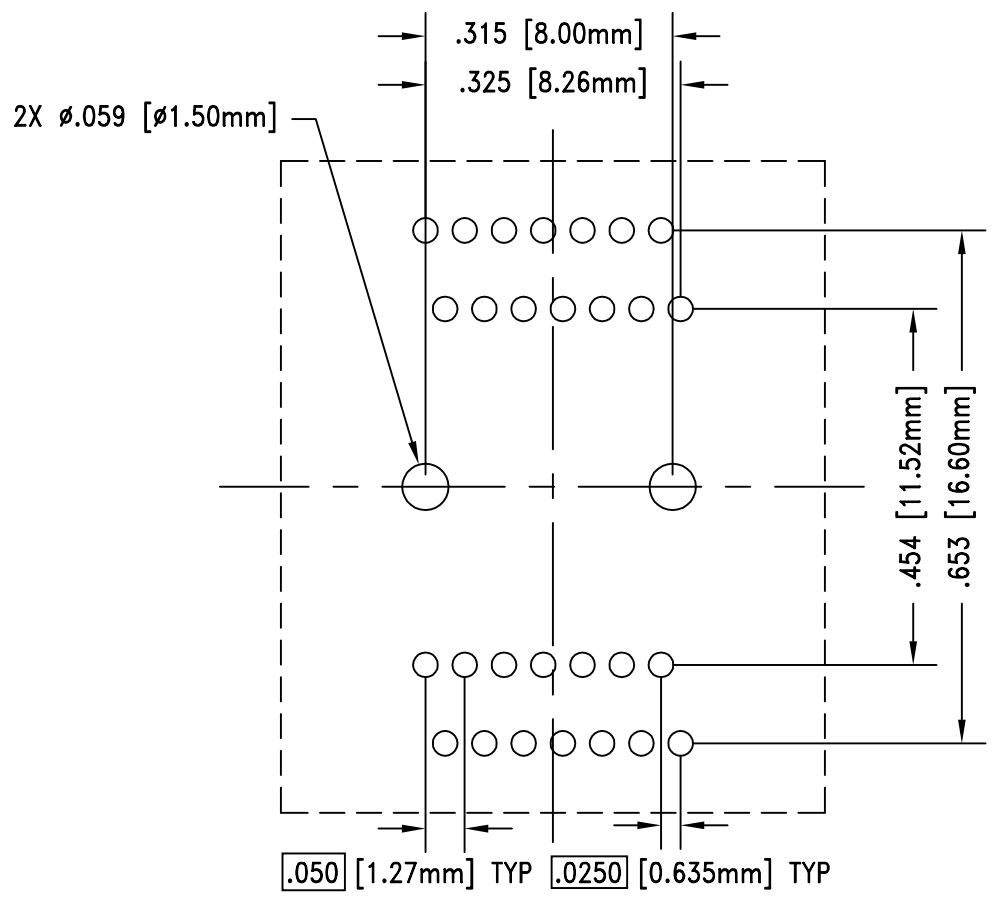
REV	DESCRIPTION	DATE	BY
A	NEW DRAWING	2/16/01	A.F.
B	UPDATED PACKAGE WIDTH & DIMS	03/11/02	H.N.

SKT959
DOD 4959

SCALE 4:1

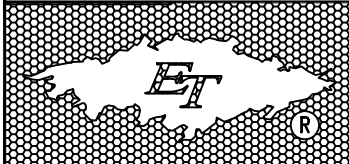


CONTACT TAILS
.0118 [0.30mm] X
.0197 [0.50mm]



RECOMMENDED PCB LAYOUT
AS SEEN FROM TOP OF SOCKET

ALL DIMENSIONS ARE IN INCHES UNLESS OTHERWISE SPECIFIED



Emulation Technology, Inc.
— VLSI and SMT ADAPTERS and ACCESSORIES —
2344 Walsh Avenue, Bldg.F Santa Clara, Ca 95051
TEL:(408)982-0660 FAX:(408)982-0664

PACKAGE SPECIFICATIONS	
PIN COUNT	= 28
LEAD PITCH	= 0.635mm
PACKAGE WIDTH	= 7.62mm

SHEET: 1 OF 1	DATE: 03/11/02	REVISION: B	ASSEMBLY DRAWING
CHECKED: Perry Munroe	DRAWN: Huy Nguyen	ITEM: S-SS0-00-028-D	DESCRIPTION: S-SS0-00-028-D
Scale 2:1	DO NOT SCALE DRAWING		