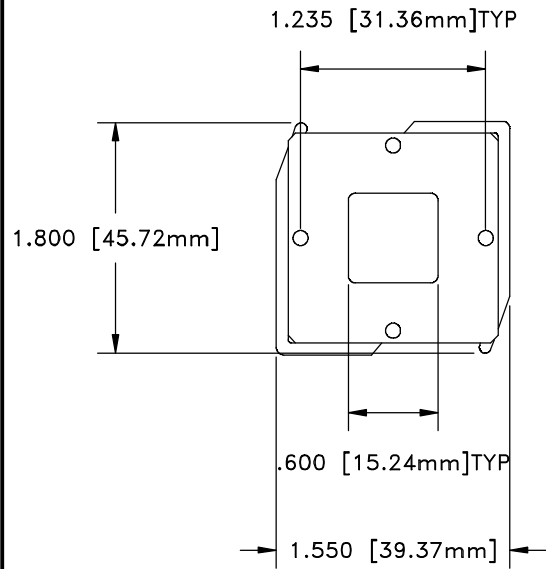
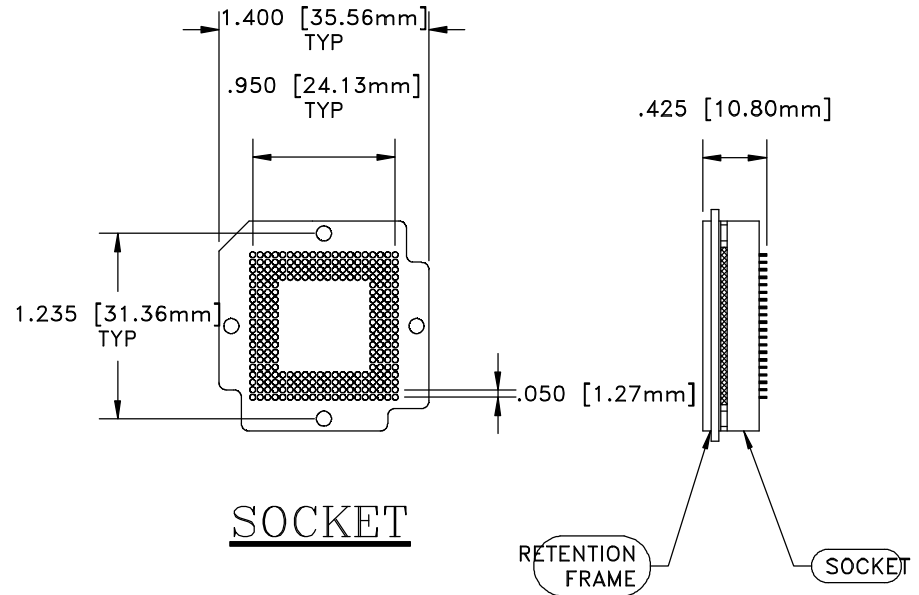


SKT941

DOD4941



RETENTION FRAME



ALL DIMENSIONS ARE IN INCHES UNLESS OTHERWISE SPECIFIED



**Emulation Technology, Inc.**

— VLSI and SMT ADAPTERS and ACCESSORIES —

2344 Walsh Avenue, Bldg. F  
Santa Clara, Ca 95051

TEL: (408) 982-0660  
FAX: (408) 982-0664

SHEET:  
1 OF 1

DATE:  
9/16/99

REVISION:

**ASSEMBLY DRAWING**

CHECKED:  
PAULA OLSON

DRAWN:  
JAMES GOUVEIA

ITEM: S-BGZ-20-256-SM

DO NOT SCALE DRAWING

DESCRIPTION:  
BPZ-256-2BG020-30