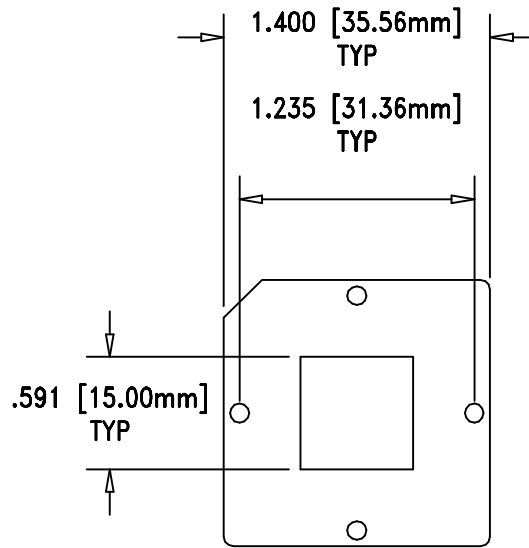
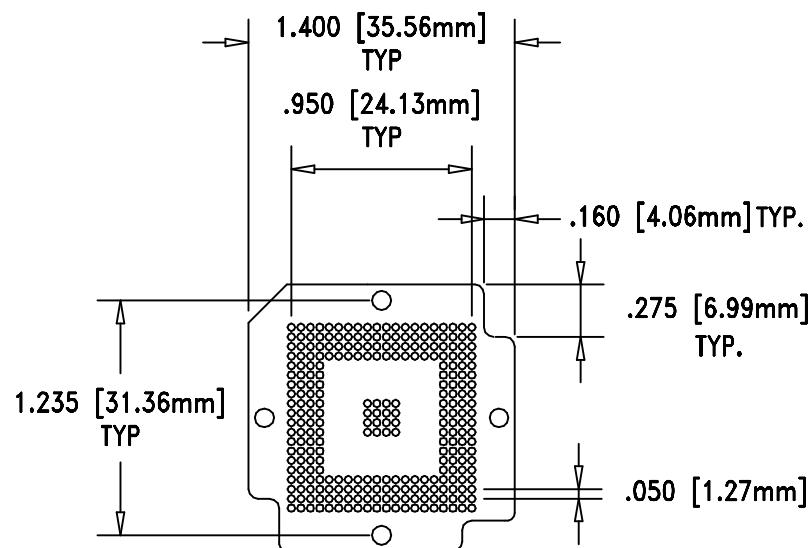


SKT937

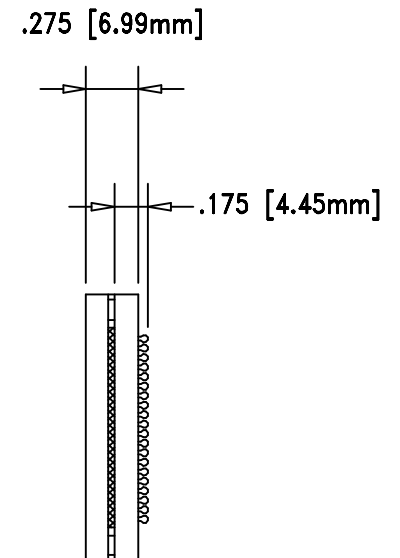
DOD 4937



**RETENTION  
FRAME**



**SOCKET**



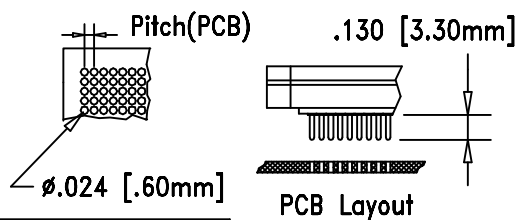
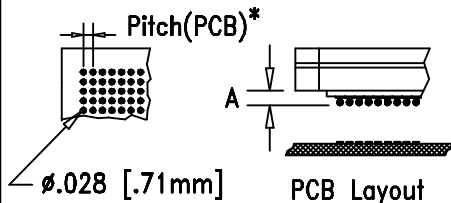
**RETENTION  
FRAME**

**SOCKET**

**RECOMMENDED PAD LAYOUT**

**SMT STYLE**  
-29(RC) & -30(SM) TYPE

**THRU HOLE STYLE**  
-70(ET) TYPE



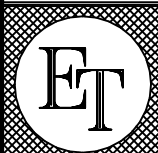
**XX(YY)= SOLDER TAIL STYLE**

30= standard SMD ("A" = .047 [1.20mm])  
29= raised SMD ("A" = .197 [5.00mm])

PIN DIAMETER FOR -70(ET)=.018 [.45mm]  
BALL DIAMETER FOR -29(RC) & -30(SM)=.026 [.66mm]

\* The pitch dimension depends on your Ball Grid Array

ALL DIMENSIONS ARE IN INCHES UNLESS OTHERWISE SPECIFIED



**Emulation Technology, Inc.**  
— VLSI and SMT ADAPTERS and ACCESSORIES —

2344 Walsh Avenue, Bldg. F  
Santa Clara, Ca 95051

TEL:(408)982-0660  
FAX:(408)982-0664

SHEET:  
1 OF 1

DATE:  
01-19-01

REVISION:

**ASSEMBLY DRAWING**

CHECKED:  
PAULA OLSON

DRAWN:  
MIGUEL DELGADILLO

ITEM: S-BGA-20-272-YY

**DO NOT SCALE DRAWING**

DESCRIPTION:  
BPW-272-2BG020-XX