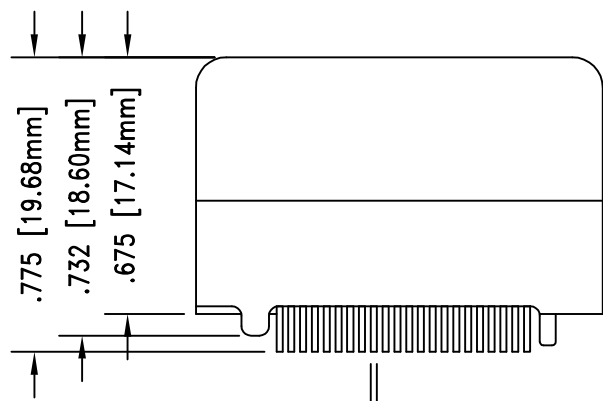
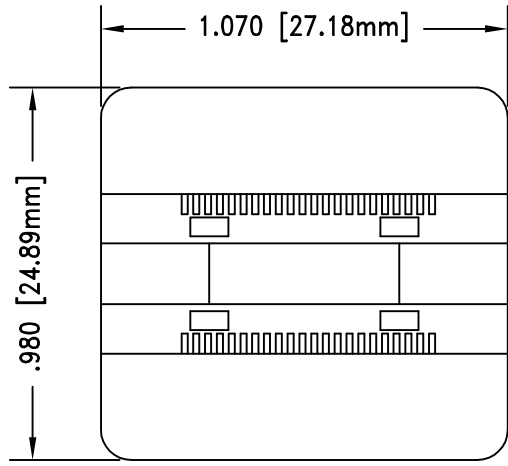


REV	DESCRIPTION	DATE	BY
A	NEW DRAWING	2/22/02	A.F.
B	UPDATED DWG & ADDED PGK CODE	04/08/02	H.N.

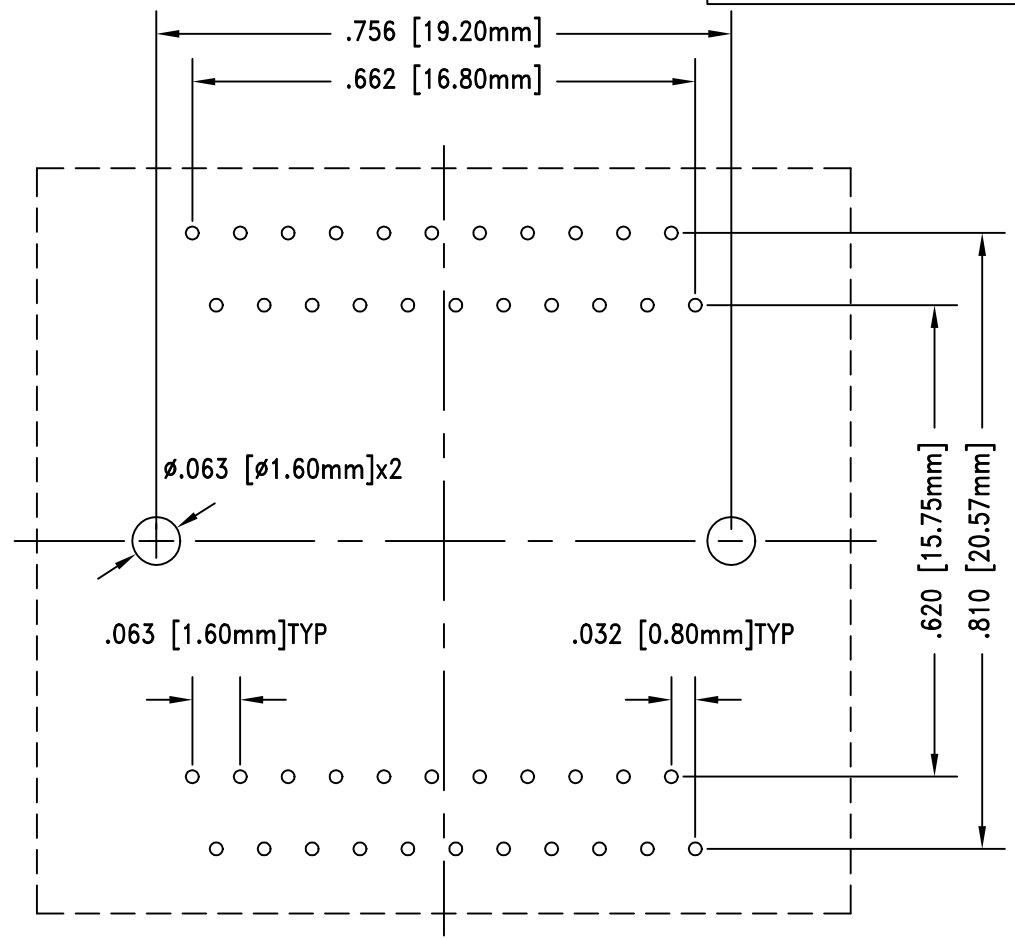
SKT917  
DOD 4917

SCALE 2:1



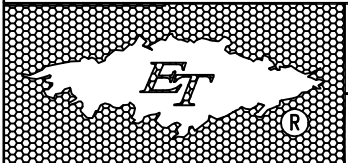
CONTACT TAILS  
.0118 [0.30mm] X  
.0197 [0.50mm]

PACKAGE SPECIFICATIONS	
PIN COUNT	= 44
LEAD PITCH	= 0.80mm
PACKAGE WIDTH	= 7.62mm
ET PACKAGE CODE	= 44-SS16



RECOMMENDED PCB LAYOUT  
AS SEEN FROM TOP OF SOCKET

ALL DIMENSIONS ARE IN INCHES UNLESS OTHERWISE SPECIFIED



**Emulation Technology, Inc.**  
— VLSI and SMT ADAPTERS and ACCESSORIES —  
2344 Walsh Avenue, Bldg.F Santa Clara, Ca 95051  
TEL:(408)982-0660 FAX:(408)982-0664

SHEET: 1 OF 1	DATE: 04/08/02	REVISION: B	<b>ASSEMBLY DRAWING</b>
CHECKED: Perry Munroe	DRAWN: Huy Nguyen	ITEM: S-SSO-00-044-A	DESCRIPTION: S-SSO-00-044-A
Scale 1:1	DO NOT SCALE DRAWING		