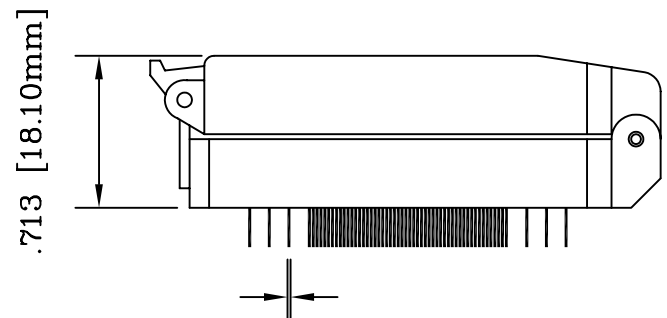
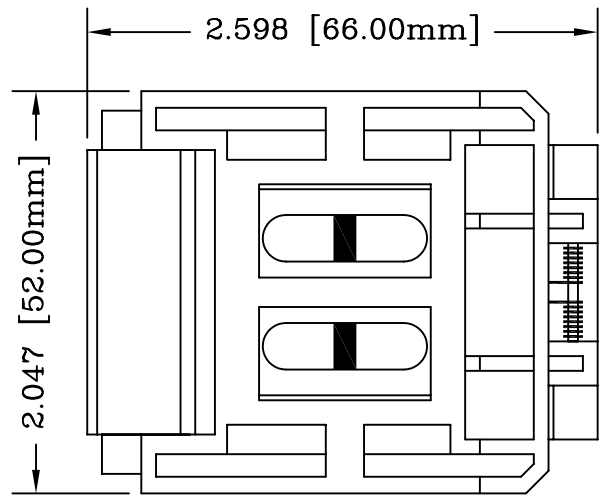


REV	DESCRIPTION	DATE	BY
A	NEW DRAWING	6/9/00	M.D.
B	UPDATED DWG & ADDED PIN OUT	08/02/04	H.N.

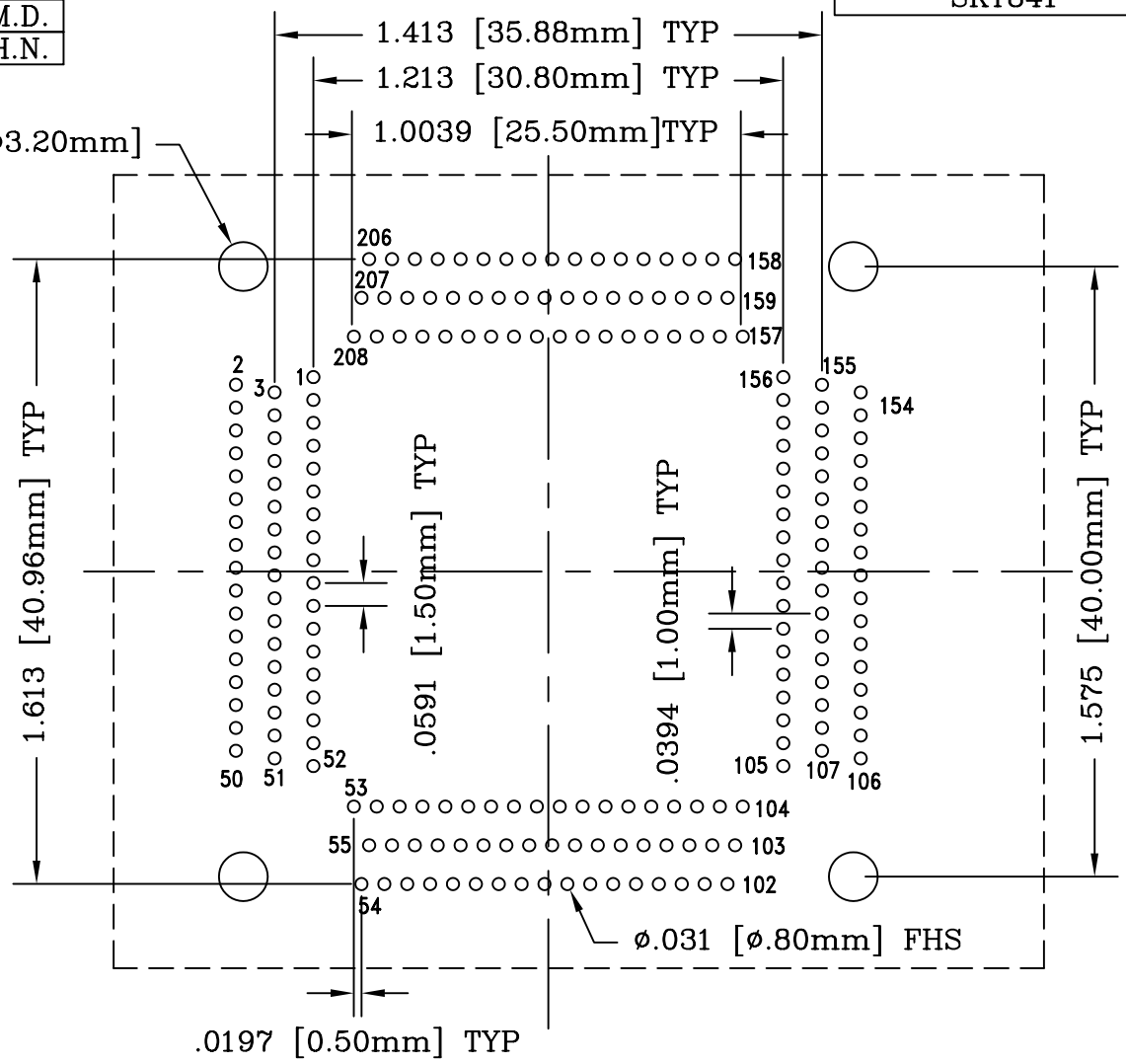
SKT841



CONTACT TAILS
.0197 [0.50mm] X
.0098 [0.25mm]

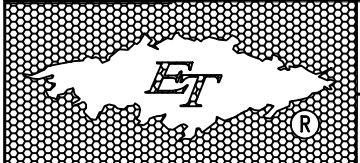
PACKAGE SPECIFICATIONS	
PIN COUNT	= 208
LEAD PITCH	= 0.50mm
PACKAGE SIZE	= 28.00mm
TIP TO TIP	= 30.00mm
ET PACKAGE CODE	= 208-QF21D

4X ϕ .126 [ϕ 3.20mm]



RECOMMENDED PCB LAYOUT
AS SEEN FROM TOP OF SOCKET

ALL DIMENSIONS ARE IN INCHES UNLESS OTHERWISE SPECIFIED



Emulation Technology, Inc.
— VLSI and SMT ADAPTERS and ACCESSORIES —
2344 Walsh Avenue, Bldg.F Santa Clara, Ca 95051
TEL:(408)982-0660 FAX:(408)982-0664

SHEET: 1 OF 1	DATE: 08/02/04	REVISION: B	ASSEMBLY DRAWING
CHECKED: Perry Munroe	DRAWN: Huy Nguyen	ITEM: S-QFP-00-208-B7	
Scale 1:1	DO NOT SCALE DRAWING	DESCRIPTION: S-QFP-00-208-B7	