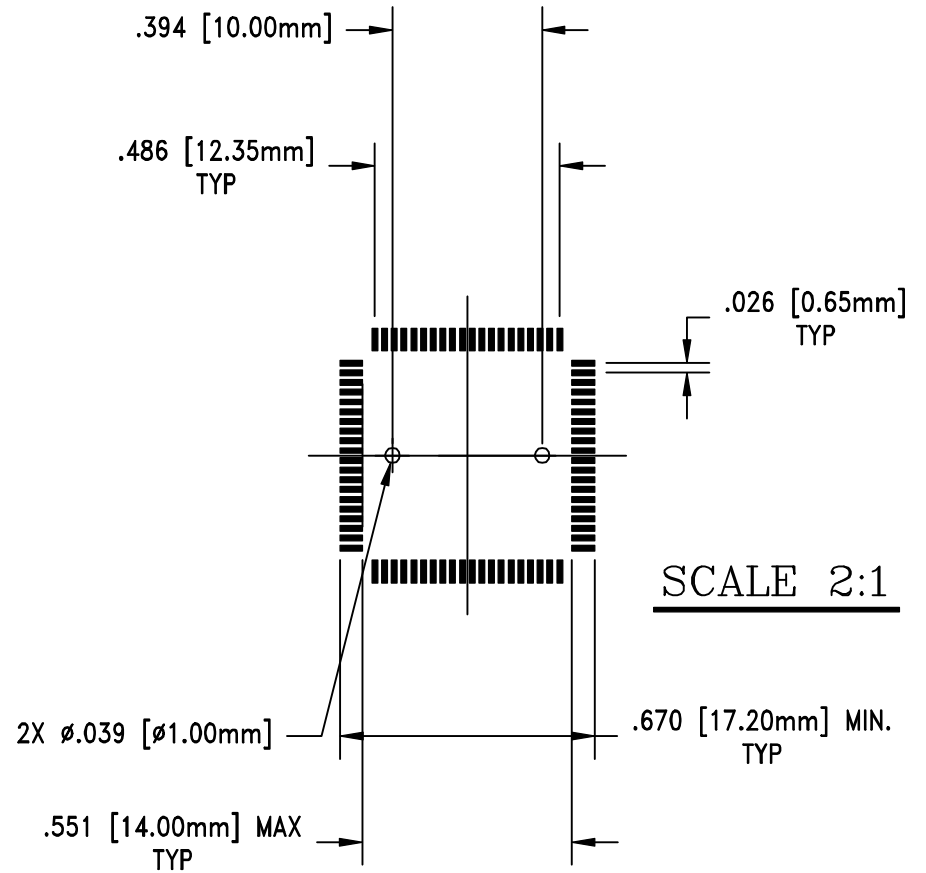
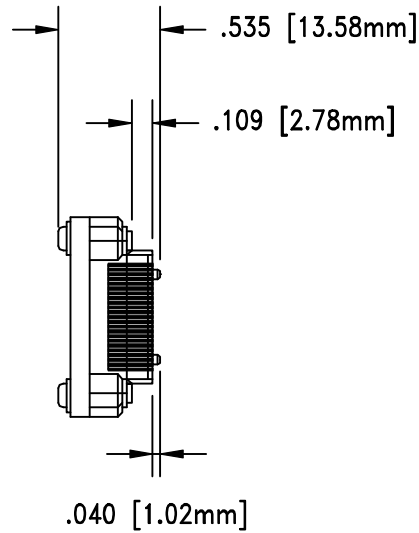
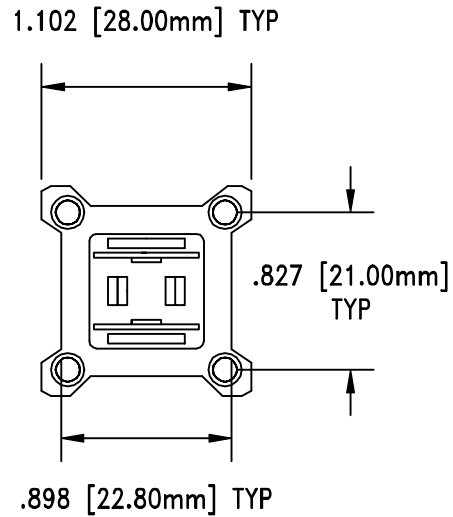


DIMENSIONS ARE IN INCHES [MILLIMETERS]

SKT840

DOD 4840



SCALE 2:1

RECOMMENDED PAD LAYOUT

SURFACE MOUNT SOCKET

ET-PACKAGE CODE= 80-QF14D

- LEAD COUNT= 80
- BODY SIZE= 14mm
- LEAD PITCH= 0.65mm
- TIP TO TIP= 16mm

ALL DIMENSIONS ARE IN INCHES UNLESS OTHERWISE SPECIFIED



Emulation Technology, Inc.
 — VLSI and SMT ADAPTERS and ACCESSORIES —

2344 Walsh Avenue, Bldg. F
 Santa Clara, Ca 95051

TEL:(408)982-0660
 FAX:(408)982-0664

SHEET:
1 OF 1

DATE:
6-09-00

REVISION:

ASSEMBLY DRAWING

CHECKED:
Paula Olsen

DRAWN:
Miguel Delgadillo

ITEM: S-QFP-SM-080-B1

DO NOT SCALE DRAWING

DESCRIPTION:
S-QFP-SM-080-B1