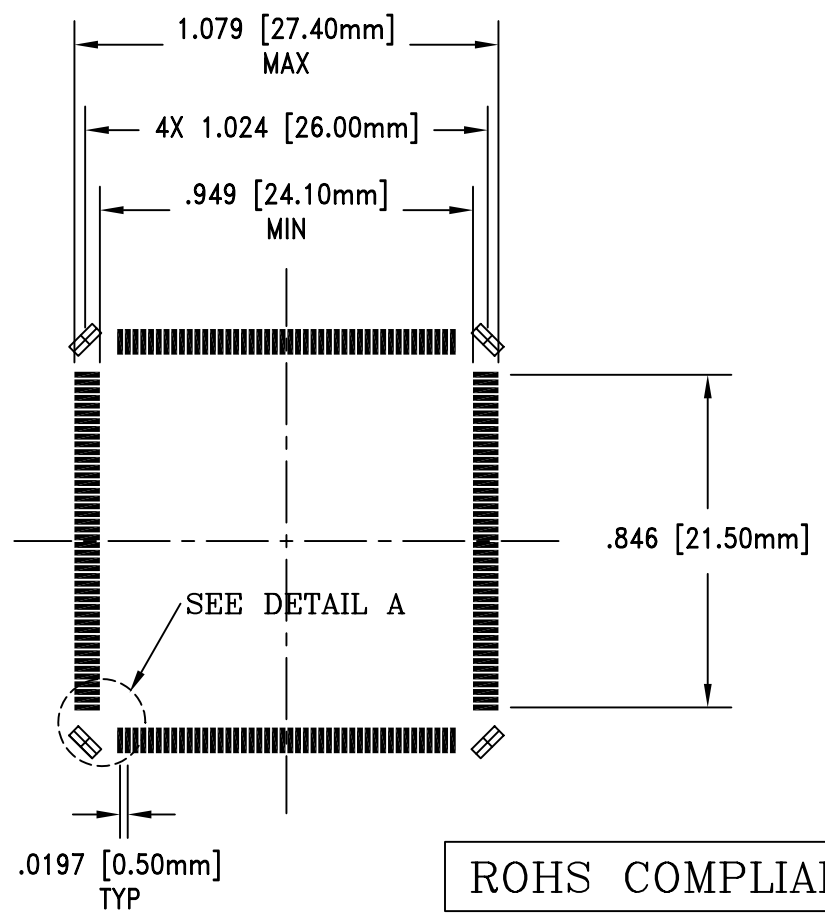
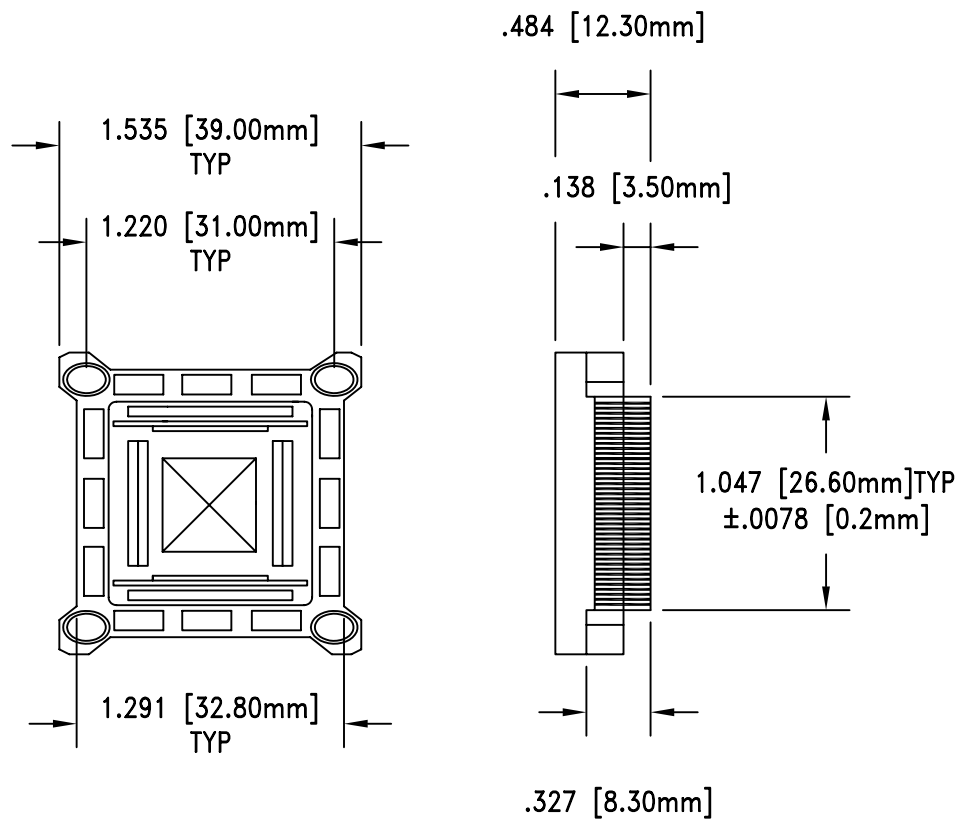
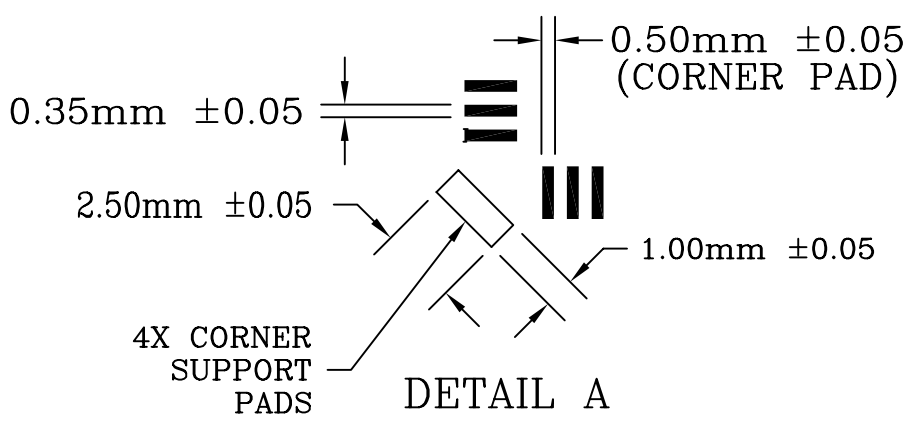


REV	DESCRIPTION	DATE	BY
A	NEW DRAWING	6/9/99	G.M.
B	ADDED TOLERANCE	04/05/07	H.N.
C	ADDED SOLDER TABS	08/10/07	H.N.

SKT835



ROHS COMPLIANT



PACKAGE SPECIFICATIONS	
PIN COUNT	≡ 176
LEAD PITCH	≡ 0.5mm
BODY SIZE	≡ 24mm
TIP TO TIP	≡ 26mm
ET PACKAGE CODE	≡ 176-QF67D

ALL DIMENSIONS ARE IN INCHES UNLESS OTHERWISE SPECIFIED

Emulation Technology, Inc.
 — VLSI and SMT ADAPTERS and ACCESSORIES —
 2344 Walsh Avenue, Bldg.F Santa Clara, Ca 95051
 TEL:(408)982-0660 FAX:(408)982-0664

SHEET: 1 OF 1	DATE: 6-9-99	REVISION: C	ASSEMBLY DRAWING
CHECKED:	DRAWN: G.M.	ITEM: S-QFP-SM-176-D	
Scale N/A	DO NOT SCALE DRAWING	DESCRIPTION: S-QFP-SM-176-D	