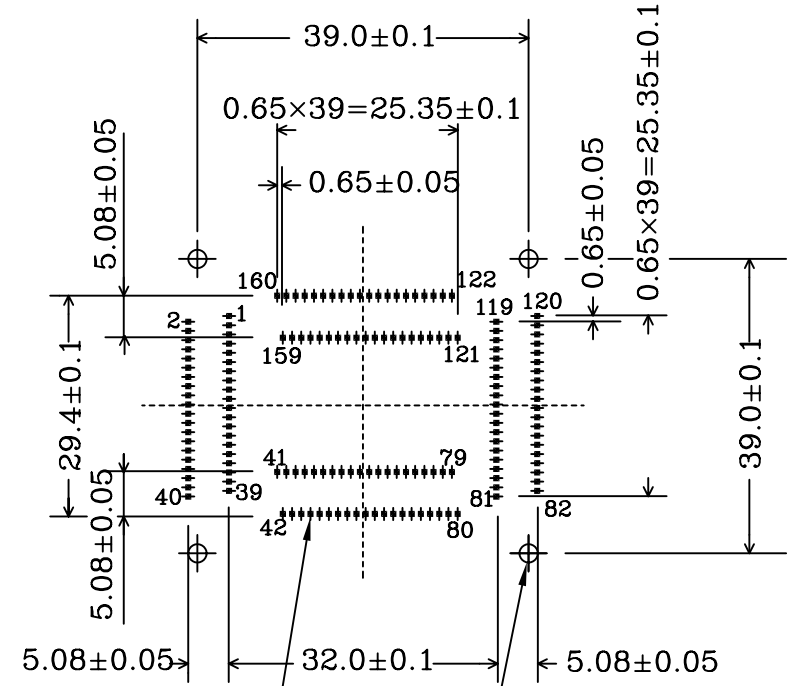
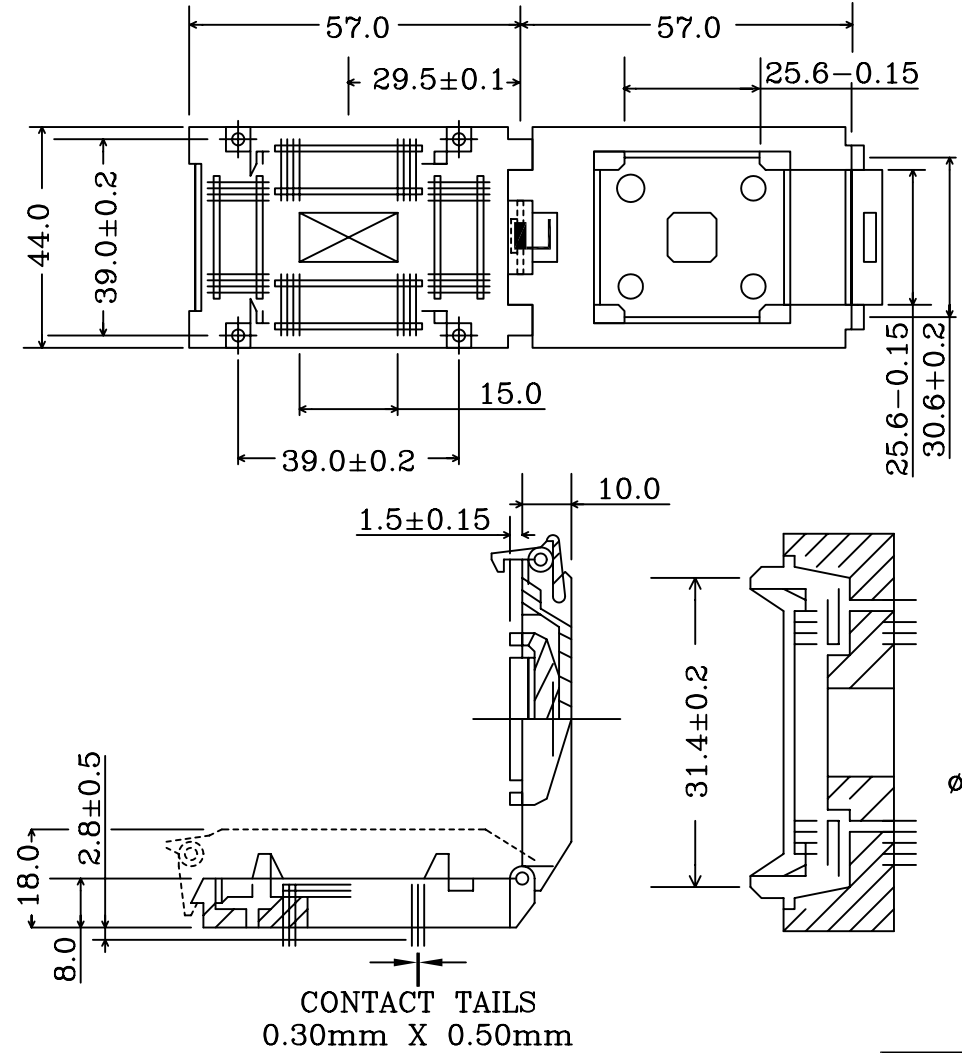


REV	DESCRIPTION	DATE	BY
A	NEW DRAWING	6/9/00	M.D.
B	ADDED NOTED & FHS	03/04/02	H.N.
C	ADDED CONTACT TAILS	09/10/02	H.N.
D	ADDED PIN OUT	05/25/04	H.N.

DIMENSIONS ARE IN MILLIMETERS

SKT800



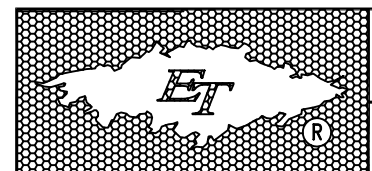
∅.028 [∅0.70mm] FHS
(HOLE DIAMETER)

4X ∅.087 [∅2.20mm]

RECOMMENDED PCB LAYOUT
AS SEEN FROM TOP OF SOCKET

NOTE:
OPERATING TEMPERATURE RANGE:
(PEI/PSF) -40° C TO +150° C
(PES) -55° C TO +170° C
(PEI) -55° C TO +170° C

PACKAGE SPECIFICATIONS	
PIN COUNT	≡ 160
LEAD PITCH	≡ 0.65mm
PACKAGE SIZE	≡ 28.00mm
TIP TO TIP	≡ 31.20mm
ET PACKAGE CODE	≡ 160-QF07B



Emulation Technology, Inc.
— VLSI and SMT ADAPTERS and ACCESSORIES —
2344 Walsh Avenue, Bldg.F Santa Clara, Ca 95051
TEL:(408)982-0660 FAX:(408)982-0664

SHEET: 1 OF 1	DATE: 05/25/04	REVISION: D	ASSEMBLY DRAWING
CHECKED: Perry Munroe	DRAWN: Huy Nguyen	ITEM: S-QFP-00-160-A1	
Scale 1:1	DO NOT SCALE DRAWING	DESCRIPTION: S-QFP-00-160-A1	