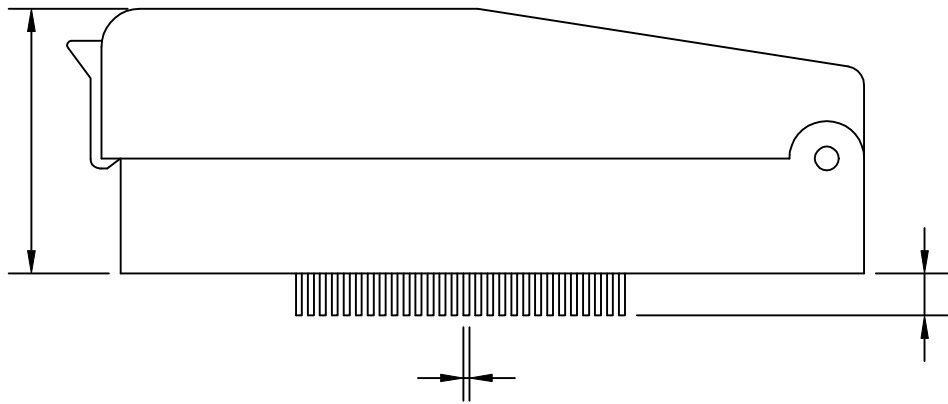
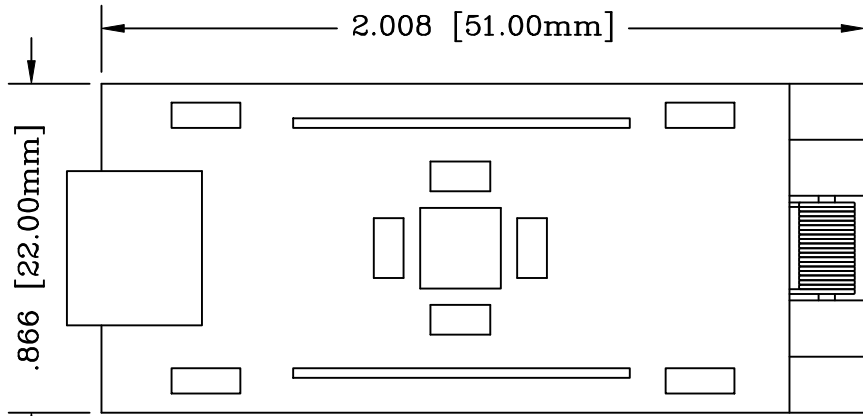


REV	DESCRIPTION	DATE
A	NEW DRAWING	2/27/01

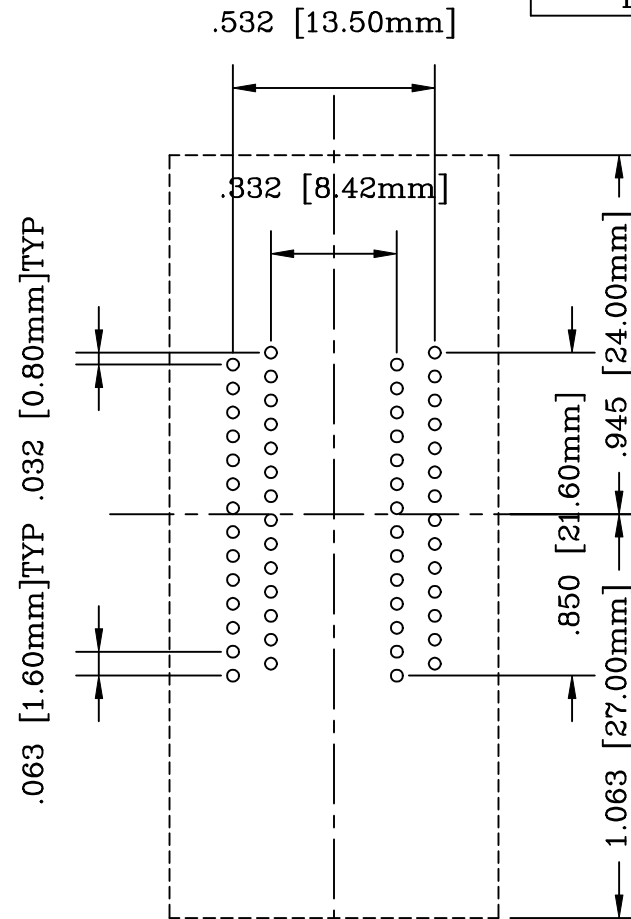
SKT789
DOD 4789



CONTACT TAILS
.016 [0.40mm]X
.014 [0.35mm]

SCALE 2:1

PACKAGE SPECIFICATIONS	
PIN COUNT	= 56
LEAD PITCH	= 0.80mm
PACKAGE WIDTH	= 13.30mm



RECOMMENDED PCB LAYOUT
AS SEEN FROM TOP OF SOCKET

ALL DIMENSIONS ARE IN INCHES UNLESS OTHERWISE SPECIFIED



Emulation Technology, Inc.
— VLSI and SMT ADAPTERS and ACCESSORIES —

2344 Walsh Avenue, Bldg. F
Santa Clara, Ca 95051

TEL:(408)982-0660
FAX:(408)982-0664

SHEET: 1 OF 1	DATE: 2/27/01	REVISION: A	ASSEMBLY DRAWING
CHECKED: Perry Munroe	DRAWN: Aaron Fine	ITEM: S-SSO-00-056-F	DESCRIPTION: S-SSO-00-056-F
DO NOT SCALE DRAWING			