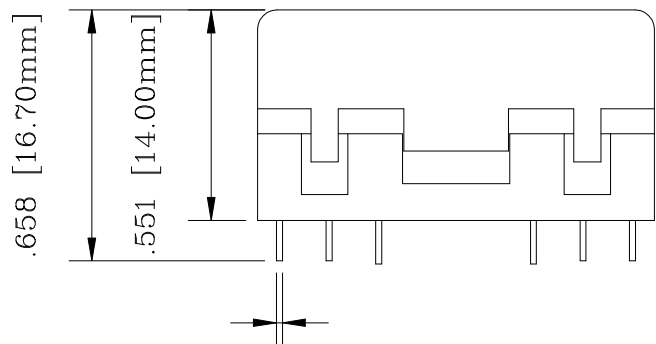
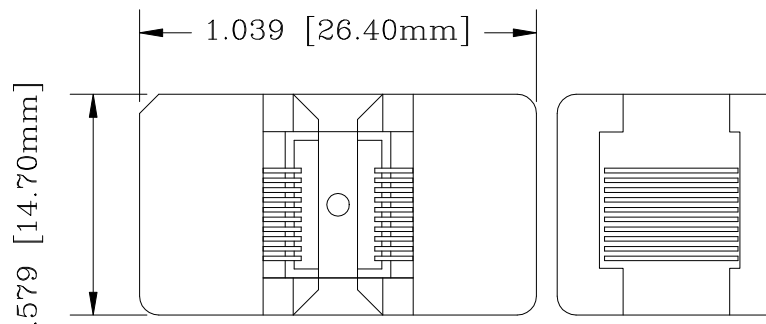


REV	DESCRIPTION	DATE	BY
A	NEW DRAWING	2/28/01	A.F.
B	UPDATED PCB LAYOUT	5/30/01	A.F.

SKT788  
DOD 4788



PIN MAP  
 2 5 8  
 1 4 7 10  
 3 6 9  
 20 17 14 11  
 18 15 12  
 19 16 13

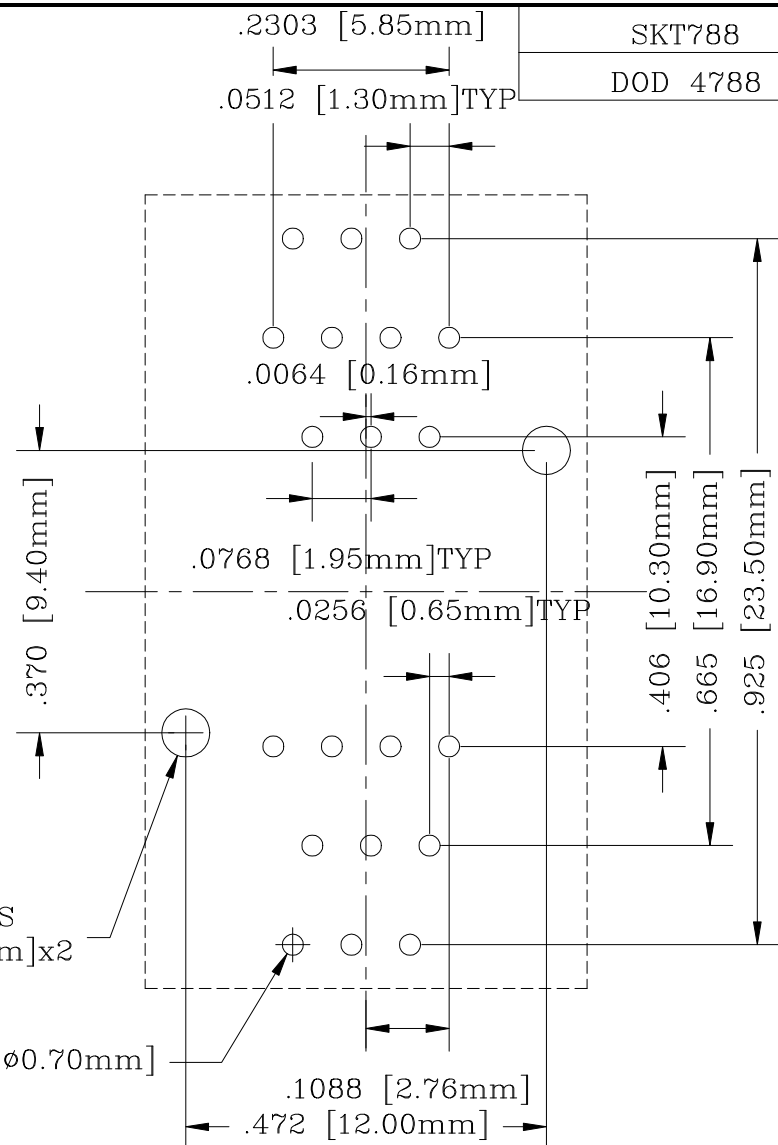
SCALE 2:1

PACKAGE SPECIFICATIONS	
PIN COUNT	= 20
LEAD PITCH	= 0.65mm
PACKAGE WIDTH	= 4.40mm

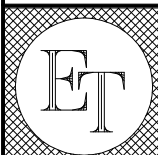
.0098 [0.25mm]  
 RECOMMENDED PCB LAYOUT  
 AS SEEN FROM TOP OF SOCKET

GUIDE POSTS  
 $\phi$ .0630 [ $\phi$ 1.60mm]x2

FHS =  $\phi$ .0276 [ $\phi$ 0.70mm]



ALL DIMENSIONS ARE IN INCHES UNLESS OTHERWISE SPECIFIED



**Emulation Technology, Inc.**  
 — VLSI and SMT ADAPTERS and ACCESSORIES —

2344 Walsh Avenue, Bldg. F  
 Santa Clara, Ca 95051

TEL:(408)982-0660  
 FAX:(408)982-0664

SHEET: 1 OF 1	DATE: 2/28/01	REVISION: A	<b>ASSEMBLY DRAWING</b>
CHECKED: Perry Munroe	DRAWN: Aaron Fine	ITEM: S-TSO-00-020-B	
DO NOT SCALE DRAWING			DESCRIPTION: S-TSO-00-020-B