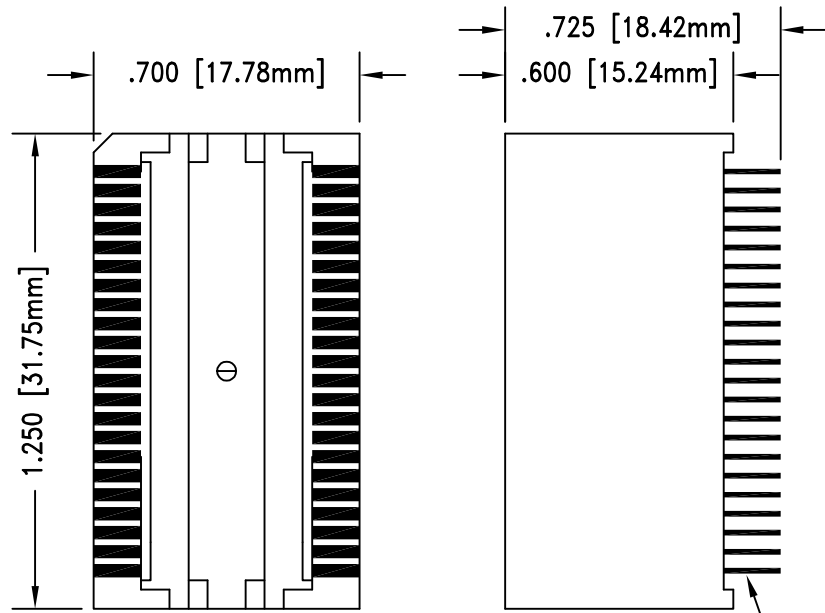


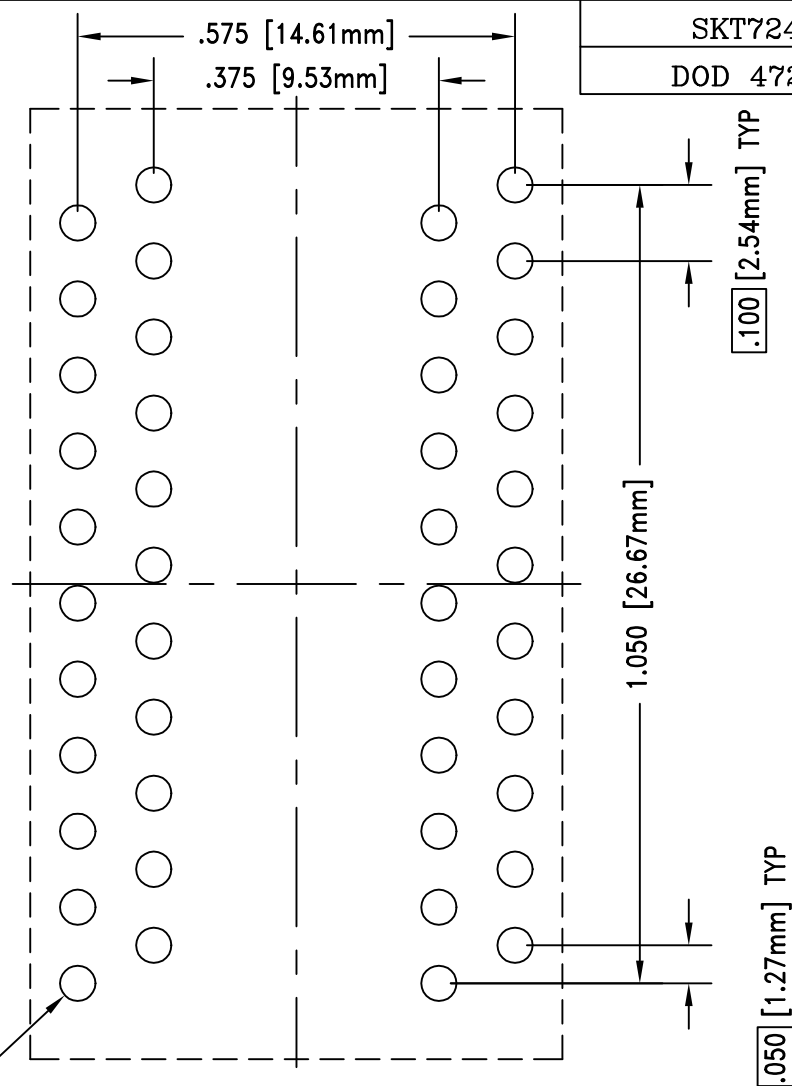
REV	DESCRIPTION	DATE	BY
A	NEW DRAWING	1/4/01	A.F.
B	ADDED FINISH HOLES SIZE	03/26/02	H.N.

SKT724
DOD 4724



CONTACT TAILS
.0138 [0.35mm] X
.0098 [0.25mm]

∅.0315 [∅0.80mm] FHS



RECOMMENDED PCB LAYOUT
AS SEEN FROM TOP OF SOCKET

PACKAGE SPECIFICATIONS	
PIN COUNT	= 44
LEAD PITCH	= 1.27mm
GRID SIZE	= 22x2
CHIP SIZE	= 10.16mm

ALL DIMENSIONS ARE IN INCHES UNLESS OTHERWISE SPECIFIED

Emulation Technology, Inc.
— VLSI and SMT ADAPTERS and ACCESSORIES —

2344 Walsh Avenue, Bldg.F Santa Clara, Ca 95051
TEL:(408)982-0660 FAX:(408)982-0664

SHEET: 1 OF 1	DATE: 03/26/02	REVISION: B	ASSEMBLY DRAWING
CHECKED: Perry Munroe	DRAWN: Huy Nguyen		ITEM: S-SOJ-00-044-A
Scale 2:1 DO NOT SCALE DRAWING			DESCRIPTION: S-SOJ-00-044-A