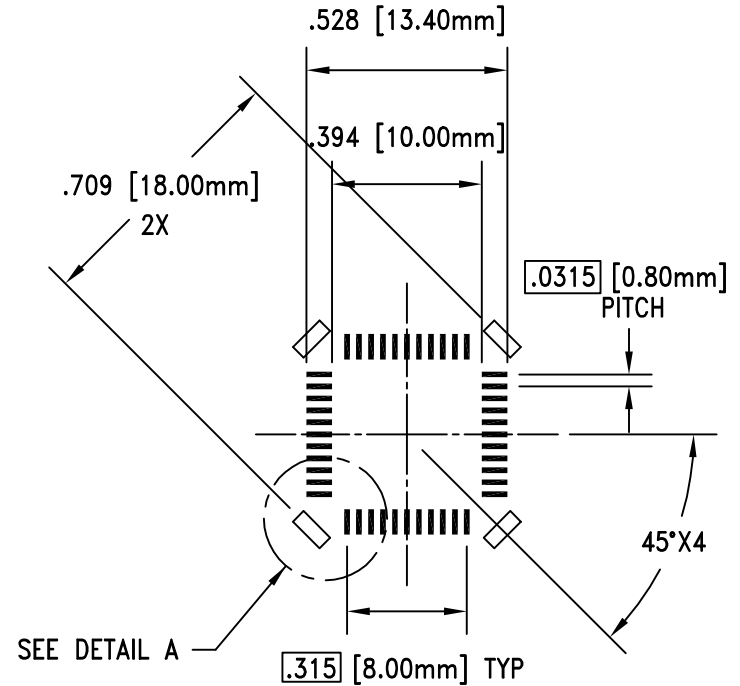
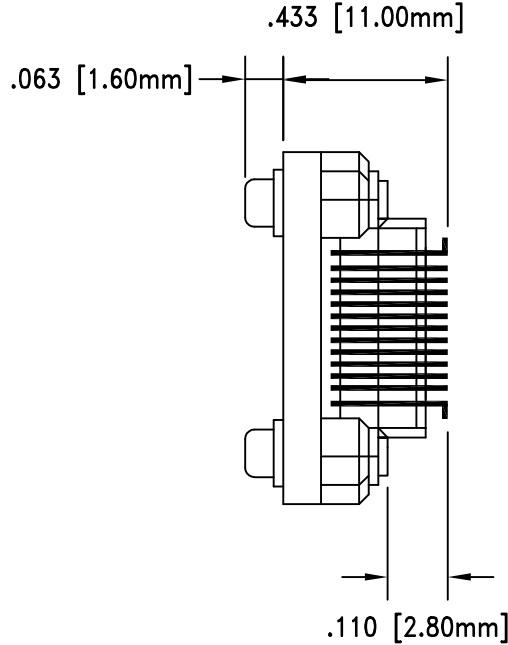
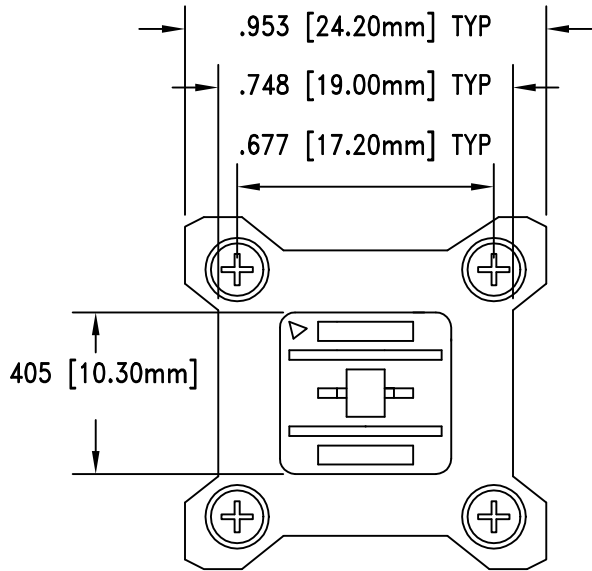
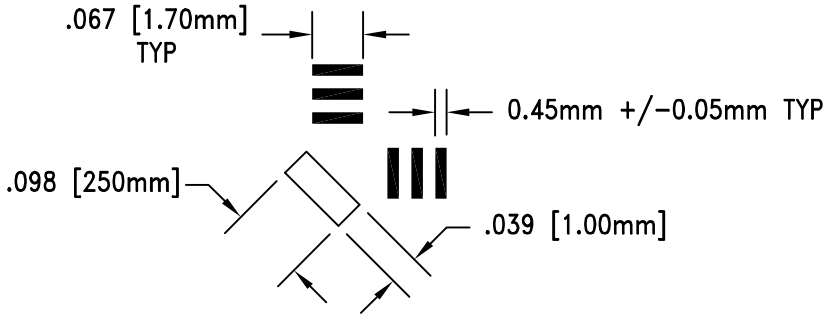


REV	DESCRIPTION	DATE	BY
A	NEW DRAWING	2/6/01	A.F.
B	UPDATED PACKAGE SPECIFICATIONS	02/25/02	H.N.
C	UPDATED DIMENSIONS	03/12/02	H.N.
D	UPDATED DRAWING	05/06/04	H.N.

SKT722  
DOD 4722



RECOMMENDED PCB LAYOUT



DETAIL A

PACKAGE SPECIFICATIONS	
PIN COUNT	= 44
LEAD PITCH	= 0.80mm
PACKAGE SIZE	= 10.00mm SQUARE
TIP TO TIP	= 12.00mm & 12.65mm
ET PACKAGE CODE	= QF16C & QD16D

ALL DIMENSIONS ARE IN INCHES UNLESS OTHERWISE SPECIFIED

**Emulation Technology, Inc.**  
— VLSI and SMT ADAPTERS and ACCESSORIES —

2344 Walsh Avenue, Bldg. F Santa Clara, Ca 95051  
TEL:(408)982-0660 FAX:(408)982-0664

SHEET: 1 OF 1	DATE: 05/06/04	REVISION: <b>D</b>	<b>ASSEMBLY DRAWING</b>
CHECKED: Perry Munroe	DRAWN: Huy Nguyen	ITEM: S-QFP-SM-044-A	DESCRIPTION: S-QFP-SM-044-A

**DO NOT SCALE DRAWING**