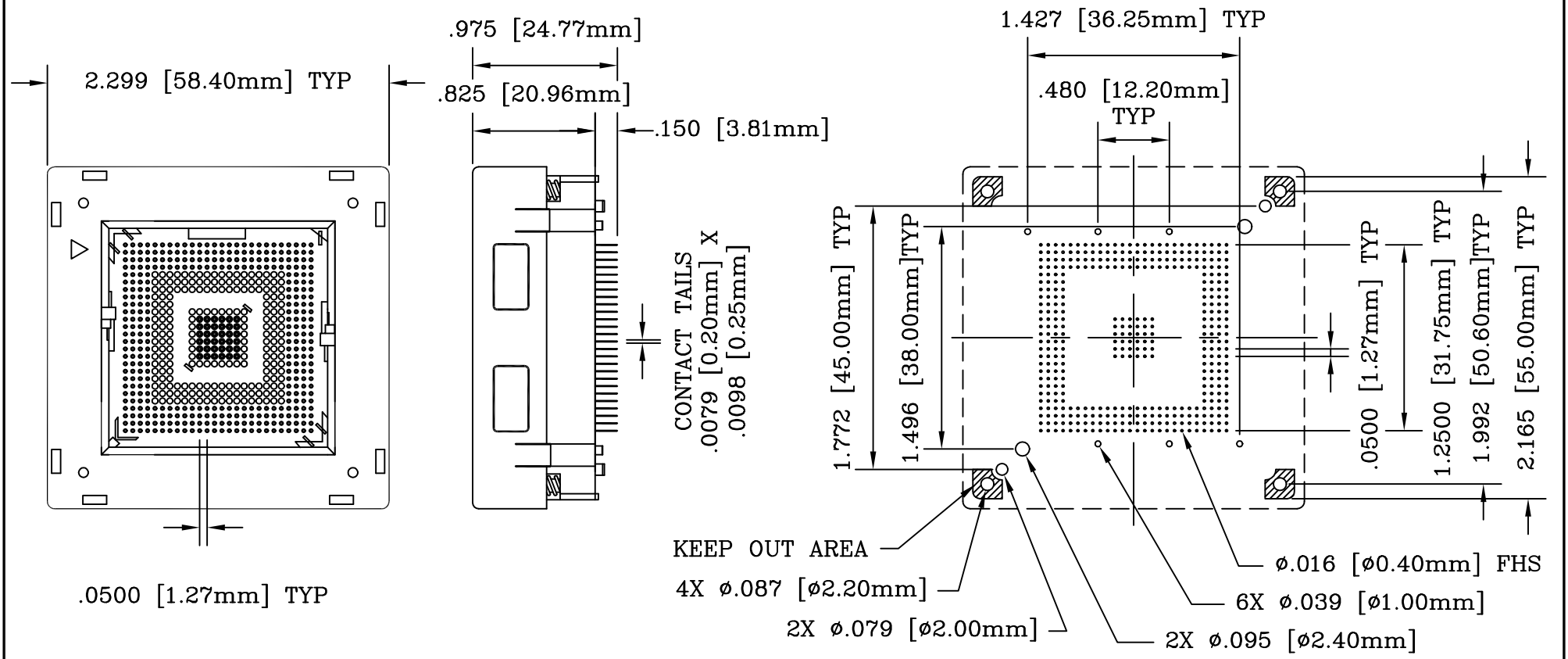


REV	DESCRIPTION	DATE	BY
A	NEW DRAWING	5/26/00	M.D.
B	UPDATED FOOTPRINT & PKG. SPEC.	10/23/02	H.N.
C	UPDATED CONTACT TAILS	07/11/03	H.N.

SKT704
DOD 4704



RECOMMENDED PCB LAYOUT
AS SEEN FROM TOP OF SOCKET

PACKAGE SPECIFICATIONS	
PIN COUNT	= 388
LEAD PITCH	= 1.27mm
GRID SIZE	= 26X26
PACKAGE SIZE	= 35.00mm SQ

ALL DIMENSIONS ARE IN INCHES UNLESS OTHERWISE SPECIFIED

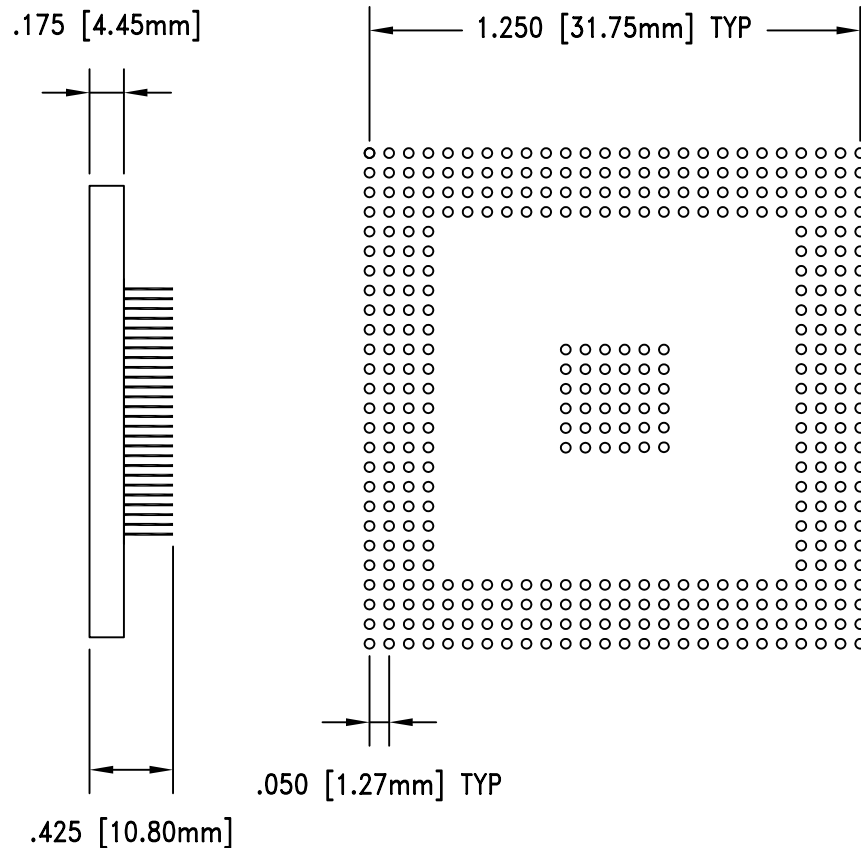
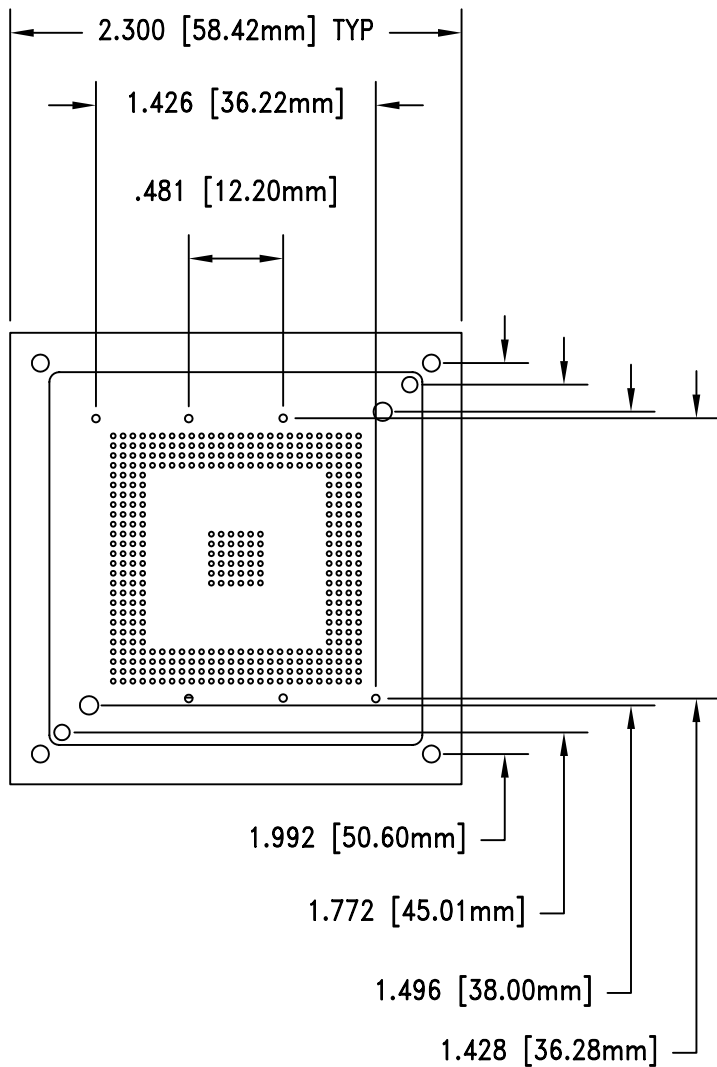
Emulation Technology, Inc.
— VLSI and SMT ADAPTERS and ACCESSORIES —

2344 Walsh Avenue, Bldg.F Santa Clara, Ca 95051
TEL:(408)982-0660 FAX:(408)982-0664

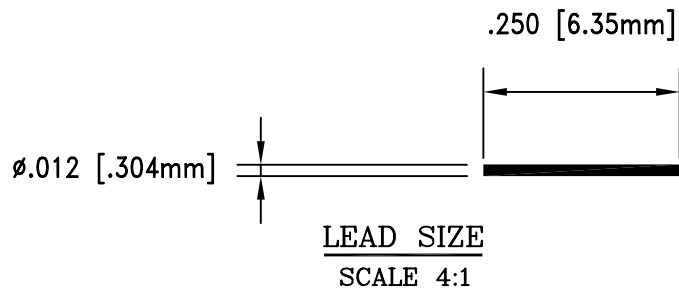
SHEET: 1 OF 1 DATE: 07/11/03 REVISION: C **ASSEMBLY DRAWING**

CHECKED: Perry Munroe DRAWN: Huy Nguyen

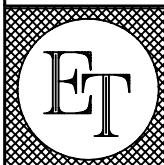
Scale 1:1 DO NOT SCALE DRAWING ITEM: S-BGA-26-388-A DESCRIPTION: S-BGA-26-388-A



SOCKET RECEPTACLE



ALL DIMENSIONS ARE IN INCHES UNLESS OTHERWISE SPECIFIED



Emulation Technology, Inc.

— VLSI and SMT ADAPTERS and ACCESSORIES —

2344 Walsh Avenue, Bldg. F
 Santa Clara, Ca 95051

TEL:(408)982-0660
 FAX:(408)982-0664

SHEET:
 1 OF 1

DATE:
 7-6-98

REVISION:

ASSEMBLY DRAWING

CHECKED:
 DAN ALTMAN

DRAWN:
 GENE McKENNA

ITEM: SR-BGA-26-388-A

DO NOT SCALE DRAWING

DESCRIPTION:
 SR-BGA-26-388-A