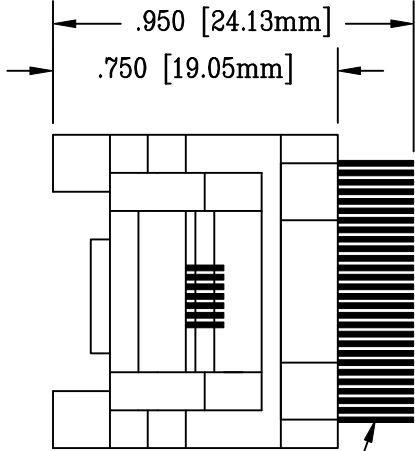
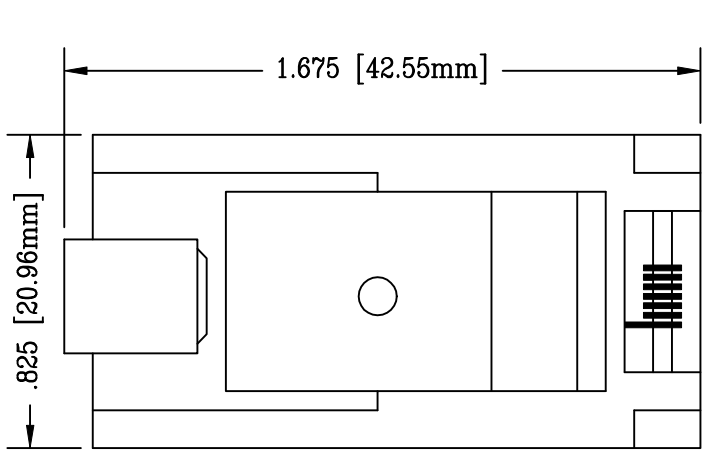
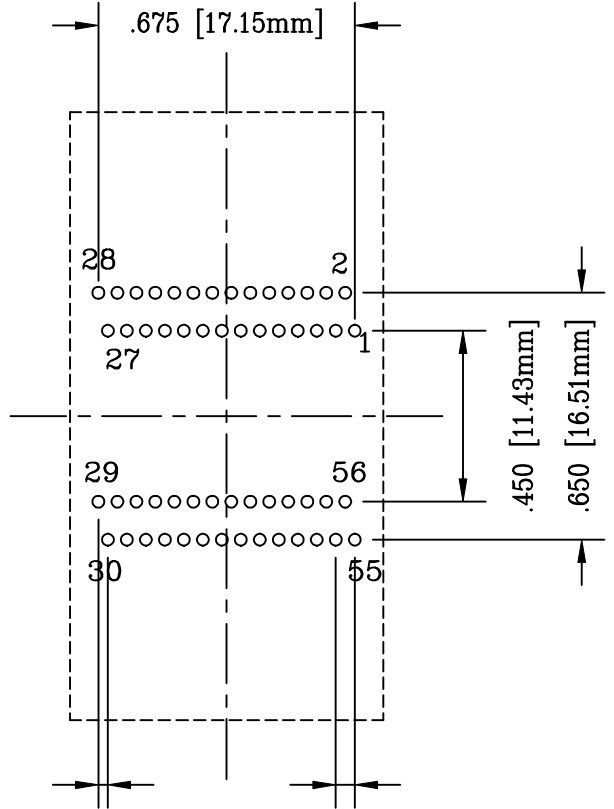


REV	DESCRIPTION	DATE
A	NEW DRAWING	6/29/98
B	UPDATED DRAWING	2/26/01

SKT590
DOD 4590



CONTACT TAILS
.0157 [0.40mm] X
.0118 [0.30mm]



.025 [0.64mm]TYP .050 [1.27mm]TYP

RECOMMENDED PCB LAYOUT
AS SEEN FROM TOP OF SOCKET

SCALE 2:1

PACKAGE SPECIFICATIONS	
PIN COUNT	= 56
LEAD PITCH	= 0.635mm
PACKAGE WIDTH	= 7.62mm

ALL DIMENSIONS ARE IN INCHES UNLESS OTHERWISE SPECIFIED

Emulation Technology, Inc.
— VLSI and SMT ADAPTERS and ACCESSORIES —

2344 Walsh Avenue, Bldg. F Santa Clara, Ca 95051
TEL:(408)982-0660 FAX:(408)982-0664

SHEET: 1 OF 1	DATE: 2/26/01	REVISION: B	ASSEMBLY DRAWING
CHECKED: Perry Munroe	DRAWN: Aaron Fine	ITEM: S-SSO-00-056-E	DESCRIPTION: S-SSO-00-056-E
DO NOT SCALE DRAWING			