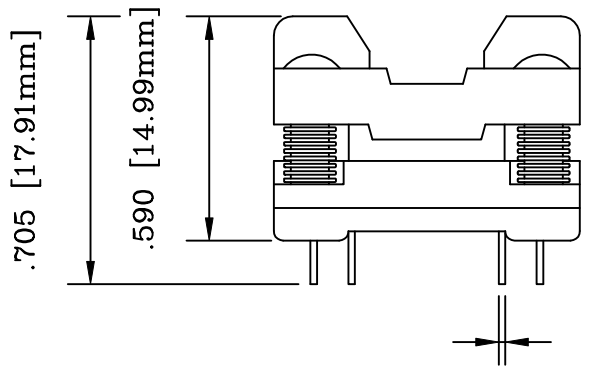
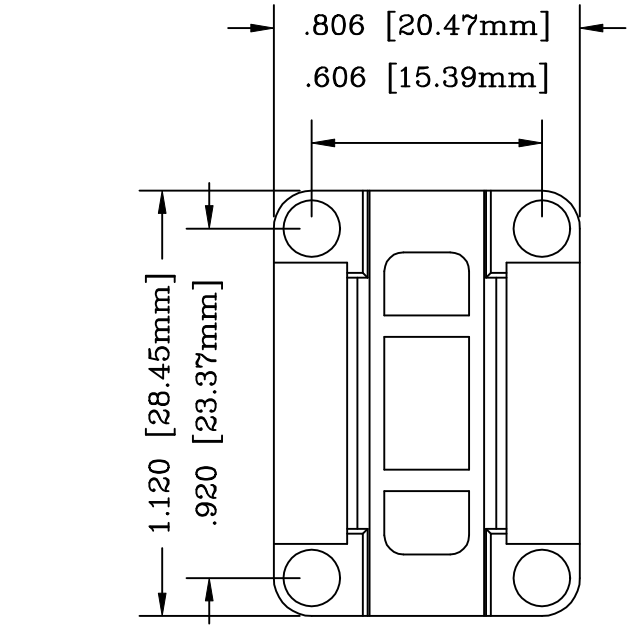


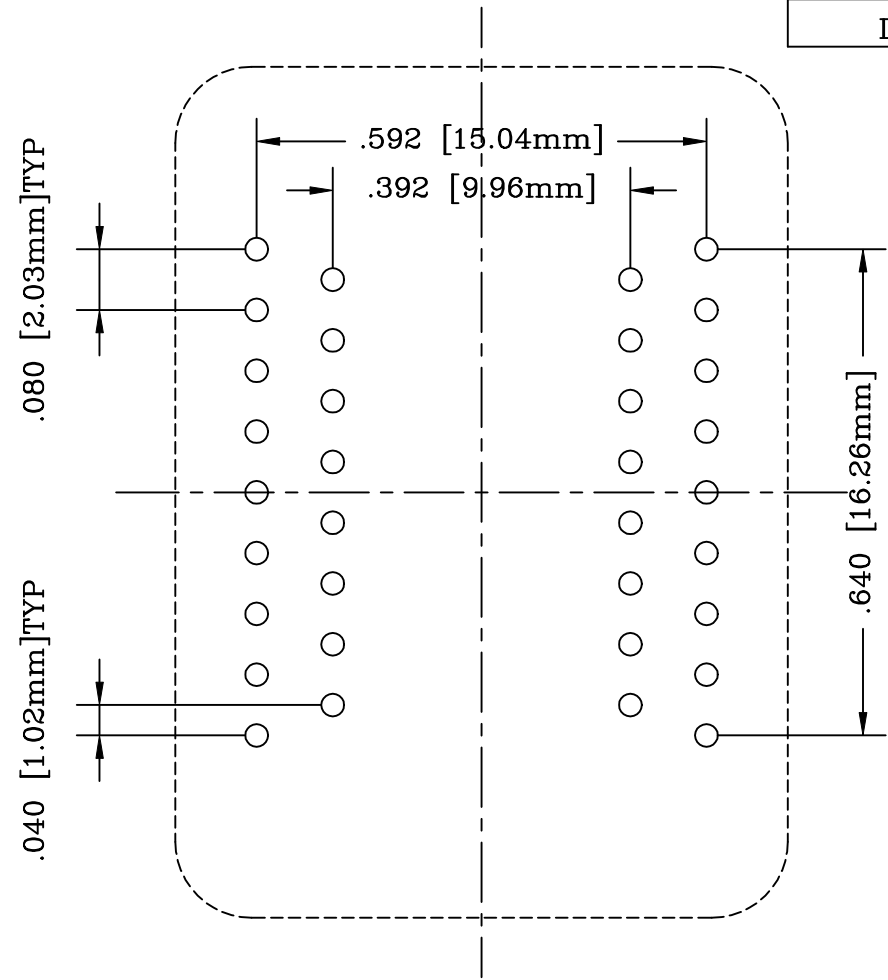
REV	DESCRIPTION	DATE
A	NEW DRAWING	2/28/01

SKT588
DOD 4588



CONTACT TAILS
 .025 [0.64mm] X
 .007 [0.18mm]

PACKAGE SPECIFICATIONS	
PIN COUNT	= 34
LEAD PITCH	= 1.02mm
PACKAGE WIDTH	= 7.62mm



SCALE 2:1

RECOMMENDED PCB LAYOUT
 AS SEEN FROM TOP OF SOCKET

ALL DIMENSIONS ARE IN INCHES UNLESS OTHERWISE SPECIFIED



Emulation Technology, Inc.
 — VLSI and SMT ADAPTERS and ACCESSORIES —

2344 Walsh Avenue, Bldg. F
 Santa Clara, Ca 95051

TEL:(408)982-0660
 FAX:(408)982-0664

SHEET: 1 OF 1	DATE: 2/28/01	REVISION: A	ASSEMBLY DRAWING
CHECKED: Perry Munroe	DRAWN: Aaron Fine	ITEM: S-SSO-00-034-A	DESCRIPTION: S-SSO-00-034-A
DO NOT SCALE DRAWING			