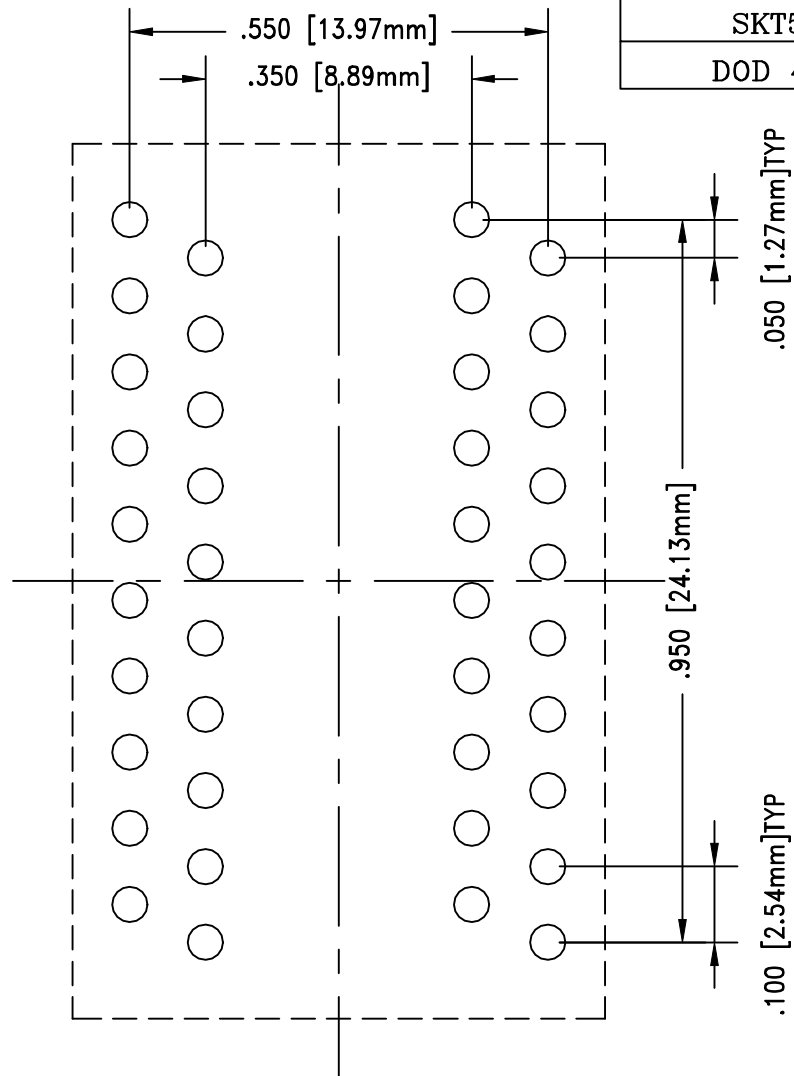


CONTACT TAILS
 .0138 [0.35mm] X
 .0098 [0.25mm]



SKT580
 DOD 4580

SCALE 2:1

RECOMMENDED PCB LAYOUT
 AS SEEN FROM TOP OF SOCKET

ALL DIMENSIONS ARE IN INCHES UNLESS OTHERWISE SPECIFIED

PACKAGE SPECIFICATIONS	
PIN COUNT	= 40
LEAD PITCH	= 1.27mm
GRID SIZE	= 20x2
CHIP SIZE	= 10.16mm



Emulation Technology, Inc.
 — VLSI and SMT ADAPTERS and ACCESSORIES —

2344 Walsh Avenue, Bldg. F
 Santa Clara, Ca 95051

TEL:(408)982-0660
 FAX:(408)982-0664

SHEET: 1 OF 1	DATE: 1/4/01	REVISION:	ASSEMBLY DRAWING
CHECKED: Perry Munroe	DRAWN: Aaron Fine	ITEM: S-SOJ-00-040-A	
DO NOT SCALE DRAWING			DESCRIPTION: S-SOJ-00-040-A