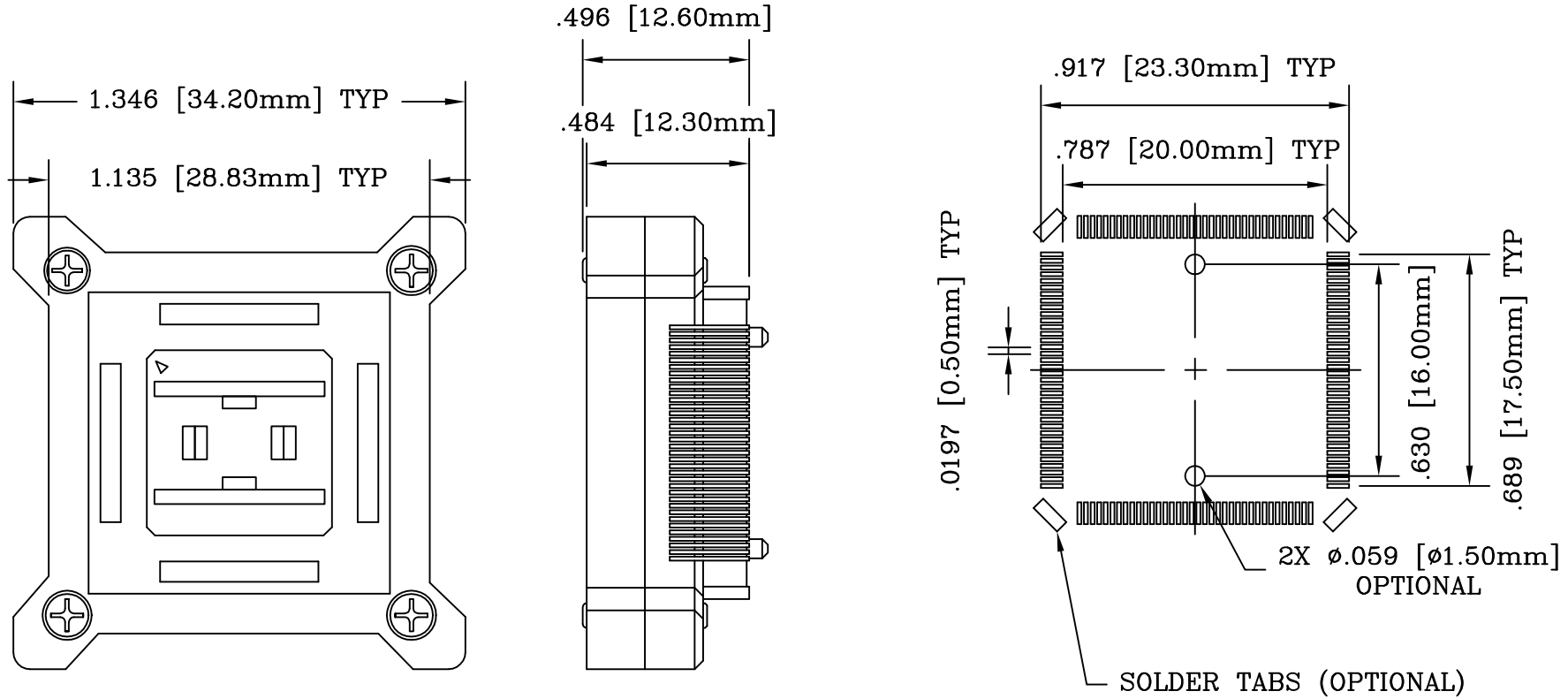


REV	DESCRIPTION	DATE	BY
A	NEW DRAWING	11/1/99	J.G.
B	UPDATED DRAWING & FOOTPRINT	12/05/01	H.N.

SKT578
DOD 4578



RECOMMENDED SMT LAYOUT

THIS SOCKET INCLUDE POSITIONING PINS.

PACKAGE SPECIFICATIONS	
PIN COUNT	= 144
LEAD PITCH	= 0.50mm
PACKAGE SIZE	= 20.00mm SQ
TIP TO TIP	= 22.00mm SQ

ALL DIMENSIONS ARE IN INCHES UNLESS OTHERWISE SPECIFIED			
		Emulation Technology, Inc. — VLSI and SMT ADAPTERS and ACCESSORIES —	
		2344 Walsh Avenue, Bldg.F Santa Clara, Ca 95051	TEL:(408)982-0660 FAX:(408)982-0664
SHEET: 1 OF 1	DATE: 12/05/01	REVISION: B	ASSEMBLY DRAWING
CHECKED: Perry Munroe	DRAWN: Huy Nguyen	ITEM: S-QFP-SM-144-A1	DESCRIPTION: S-QFP-SM-144-A1
Scale 2:1	DO NOT SCALE DRAWING		