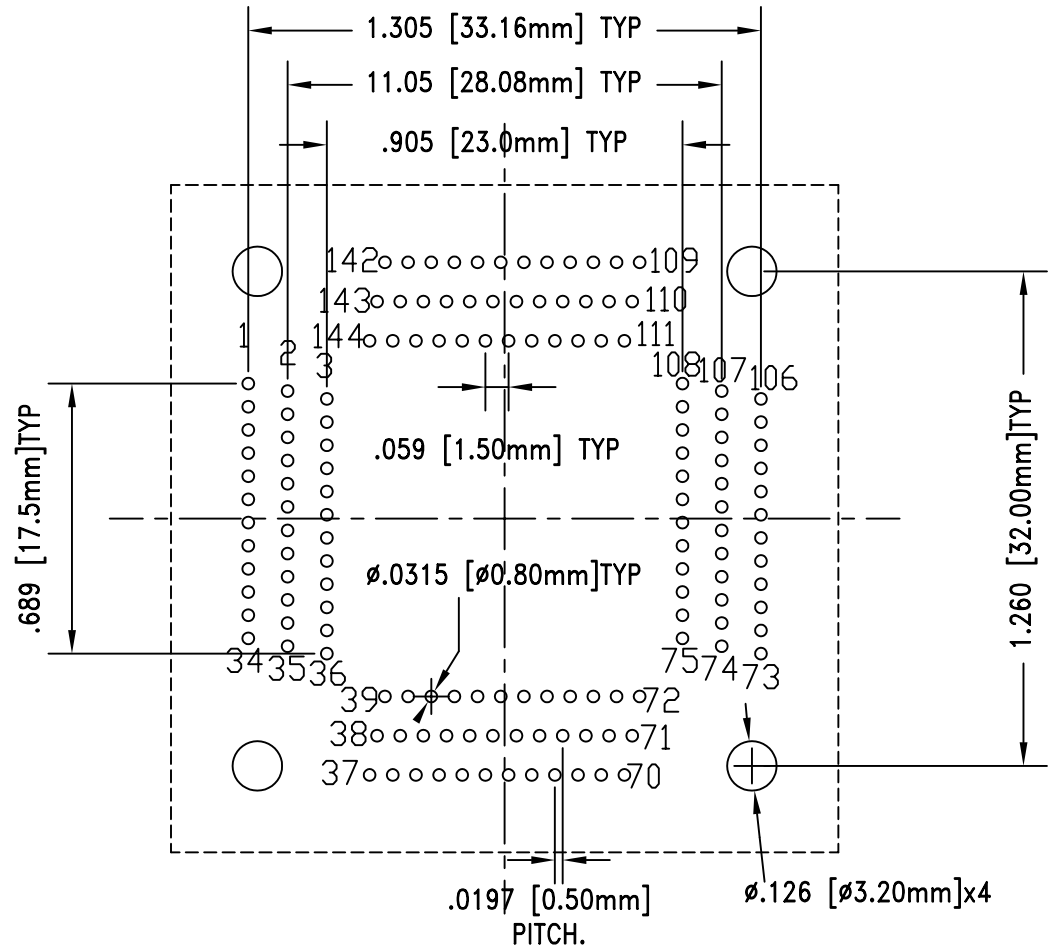
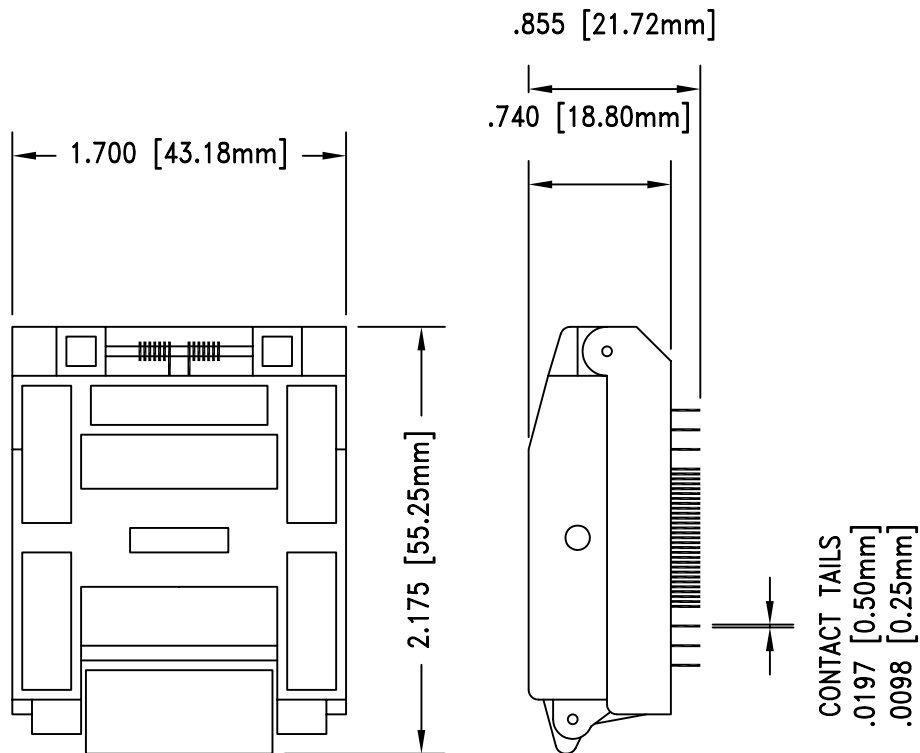


REV	DESCRIPTION	DATE	BY
A	NEW DRAWING	5/7/01	A.F.
B	UPDATED PACKAGE NOTES	4/18/01	A.F.
C	UPDATED DIMS ON LAYOUT	4/18/01	MD.

SKT576
DOD 4576



RECOMMENDED PCB LAYOUT
AS SEEN FROM TOP OF SOCKET

NOTE:

PACKAGE THICKNESS MUST BE
BETWEEN 1.40mm & 1.60mm

PACKAGE SPECIFICATIONS	
PIN COUNT	≡ 144
LEAD PITCH	≡ 0.50mm
PACKAGE SIZE	≡ 20.00mm SQUARE
TIP TO TIP	≡ 22.00mm SQUARE

ALL DIMENSIONS ARE IN INCHES UNLESS OTHERWISE SPECIFIED



Emulation Technology, Inc.

— VLSI and SMT ADAPTERS and ACCESSORIES —

2344 Walsh Avenue, Bldg. F
Santa Clara, Ca 95051

TEL:(408)982-0660
FAX:(408)982-0664

SHEET: 1 OF 1	DATE: 5/7/01	REVISION: B	ASSEMBLY DRAWING
CHECKED: Perry Munroe	DRAWN: Aaron Fine	ITEM: S-QFP-00-144-E1	
DO NOT SCALE DRAWING			DESCRIPTION: S-QFP-00-144-E1