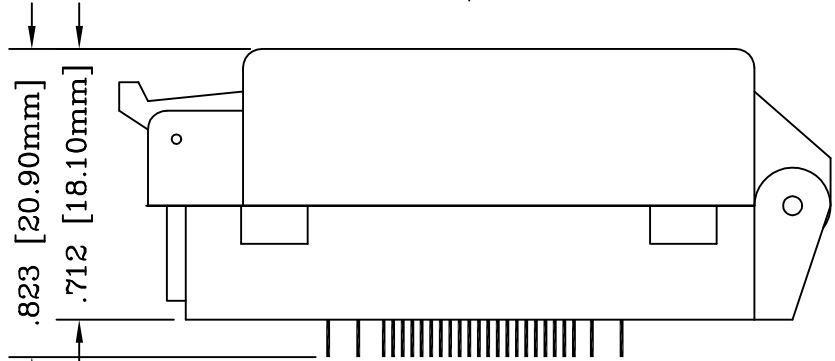
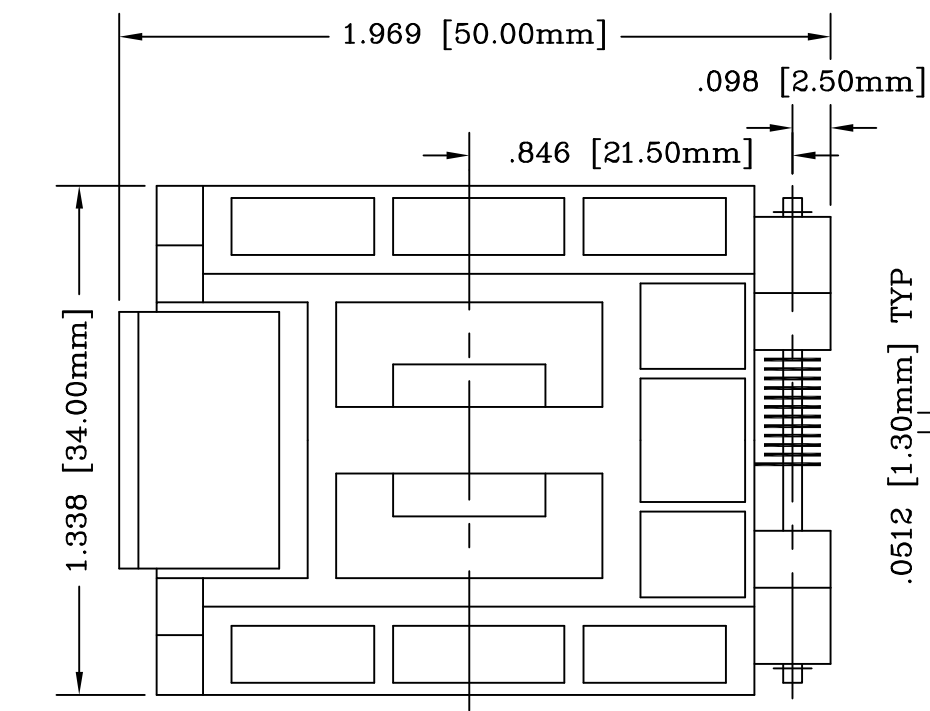


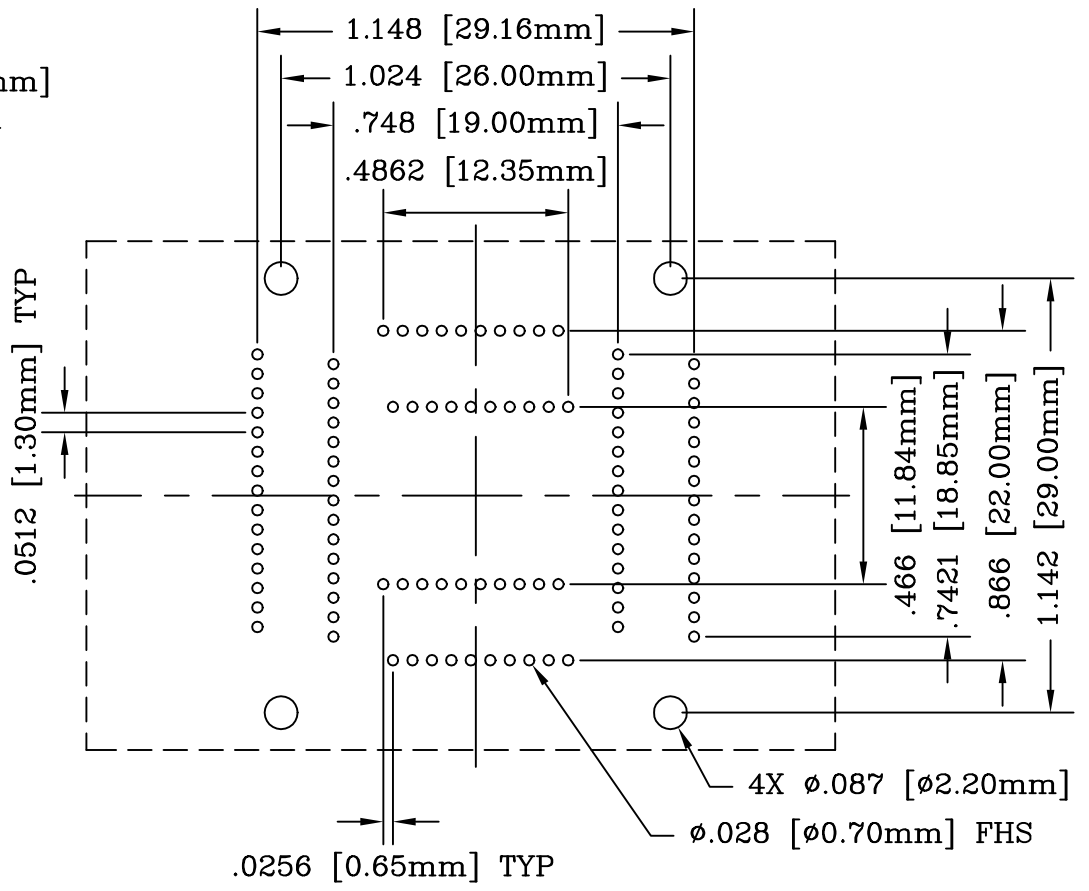
REV	DESCRIPTION	DATE	BY
A	NEW DRAWING	06/08/00	M.D.
B	UPDATED DRAWING FOOTPRINT	01/06/03	H.N.

SKT573
DOD 4573



CONTACT TAILS
.0118 [0.30mm] X
.0197 [0.50mm]

PACKAGE SPECIFICATIONS	
PIN COUNT	= 100
LEAD PITCH	= 0.65mm
PACKAGE SIZE	= 14.00 X 20.00mm
TIP TO TIP	= 16.00 X 22.00mm
ET-PACKAGE CODE= 100-QF06D	



RECOMMENDED PCB LAYOUT
AS SEEN FROM TOP OF SOCKET

ALL DIMENSIONS ARE IN INCHES UNLESS OTHERWISE SPECIFIED

Emulation Technology, Inc.
— VLSI and SMT ADAPTERS and ACCESSORIES —

2344 Walsh Avenue, Bldg.F Santa Clara, Ca 95051
TEL:(408)982-0660 FAX:(408)982-0664

SHEET: 1 OF 1	DATE: 01/06/03	REVISION: B	ASSEMBLY DRAWING
CHECKED: Perry Munroe	DRAWN: Huy Nguyen	◎ ◁	ITEM: S-QFP-00-100-A5
Scale 2:1 DO NOT SCALE DRAWING			DESCRIPTION: S-QFP-00-100-A5