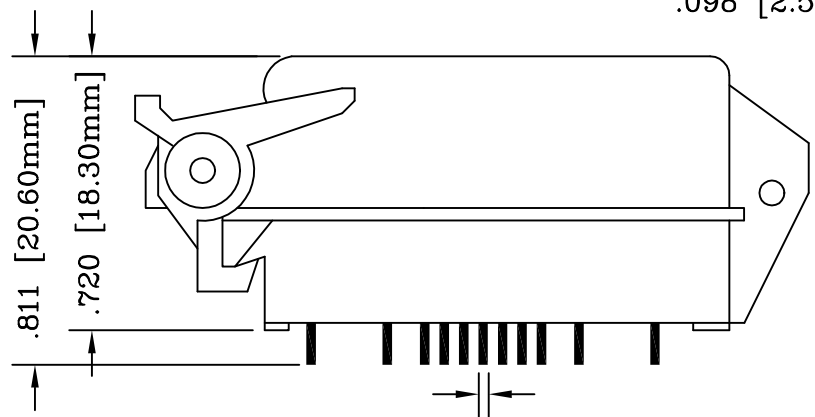
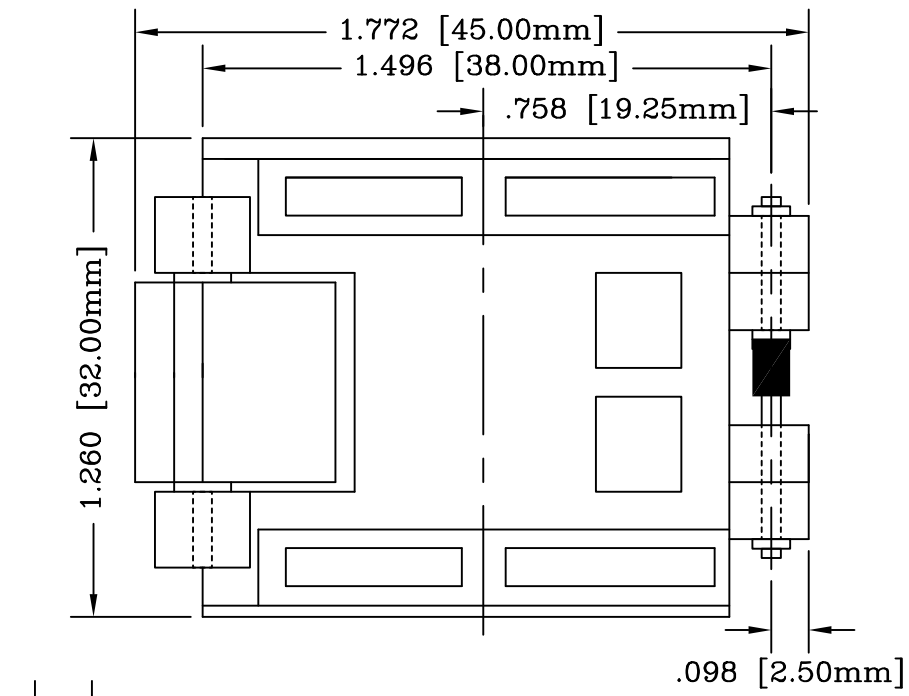
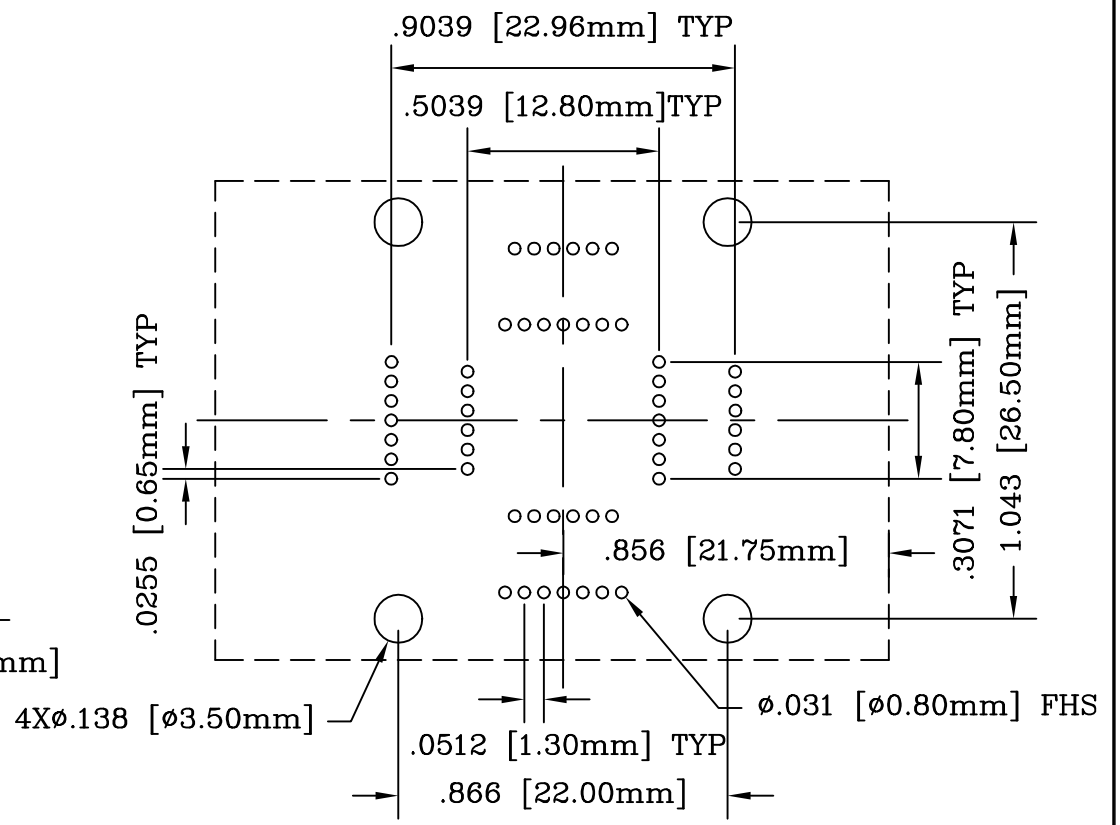


REV	DESCRIPTION	DATE	BY
A	NEW DRAWING	06/07/00	M.D.
B	UPDATED PCB LAYOUT & DIMS	08/07/01	H.N.
C	CHANGED VENDOR DRAWING	12/03/02	H.N.

SKT572  
DOD 4572



CONTACT TAILS  
.0118 [0.30mm] X  
.0197 [0.50mm]



RECOMMENDED PCB LAYOUT  
AS SEEN FROM TOP OF SOCKET

PACKAGE SPECIFICATIONS	
PIN COUNT	≡ 52
LEAD PITCH	≡ 0.65mm
PACKAGE SIZE	≡ 10.00mm SQ
TIP TO TIP	≡ 12.00mm SQ

ALL DIMENSIONS ARE IN INCHES UNLESS OTHERWISE SPECIFIED

**Emulation Technology, Inc.**  
— VLSI and SMT ADAPTERS and ACCESSORIES —  
2344 Walsh Avenue, Bldg.F Santa Clara, Ca 95051  
TEL:(408)982-0660 FAX:(408)982-0664

SHEET: 1 OF 1	DATE: 12/03/02	REVISION: C	<b>ASSEMBLY DRAWING</b>
CHECKED: Perry Munroe	DRAWN: Huy Nguyen	ITEM: S-QFP-00-052-D	
Scale 1:2	DO NOT SCALE DRAWING	DESCRIPTION: S-QFP-00-052-D	