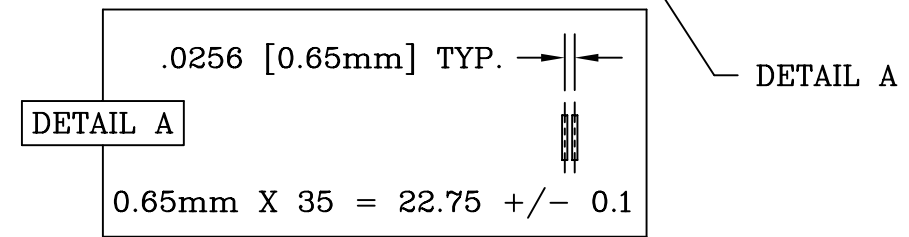
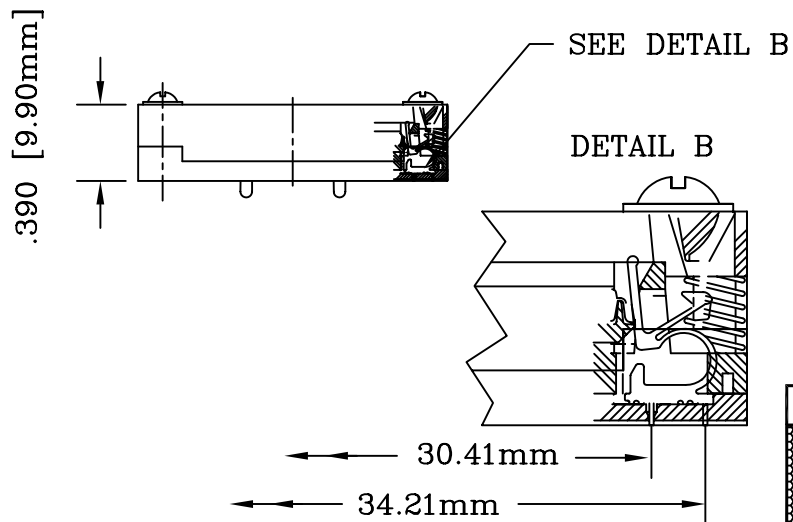
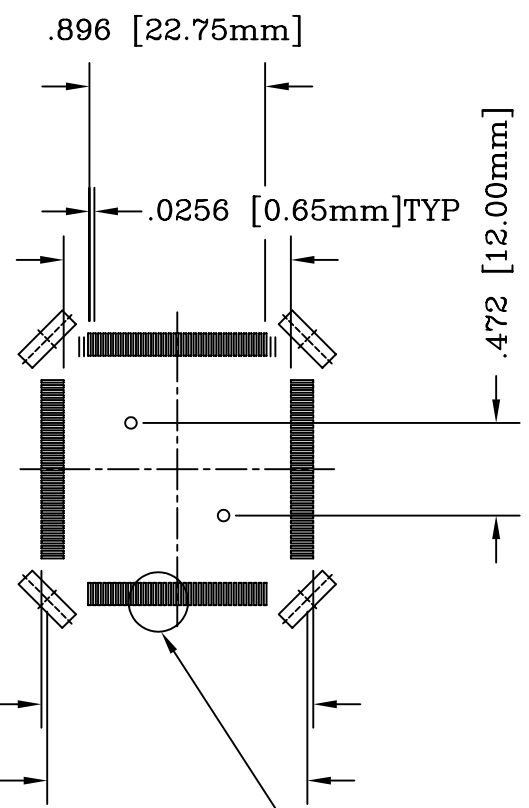
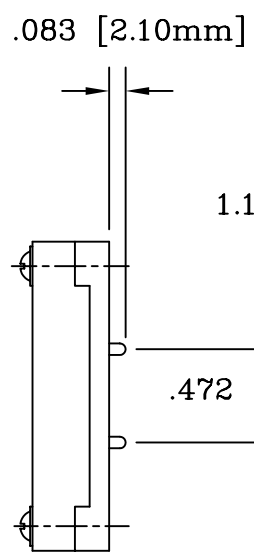
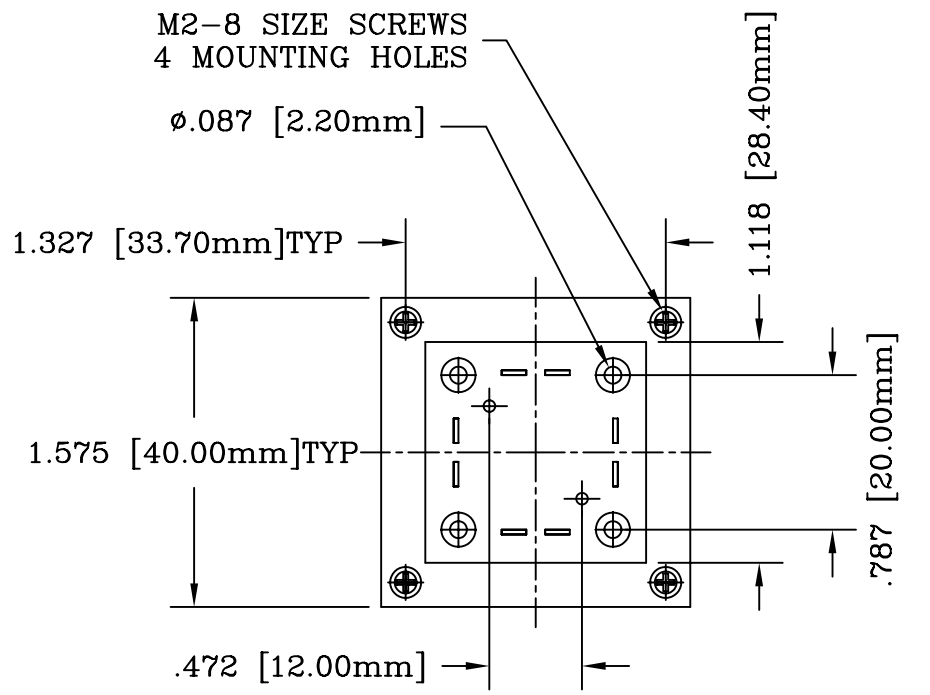


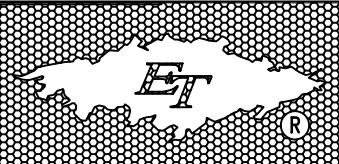
REV	DESCRIPTION	DATE	BY
A	NEW DRAWING	06/09/00	M.D.
B	ADDED DETAIL B	07/06/04	H.N.

SKT536



PACKAGE SPECIFICATIONS	
PIN COUNT	= 144
LEAD PITCH	= 0.65mm
PACKAGE SIZE	= 28.00mm
TIP TO TIP	= 31.90mm
ET-PACKAGE CODE	= 144-QF10A

ALL DIMENSIONS ARE IN INCHES UNLESS OTHERWISE SPECIFIED



Emulation Technology, Inc.
— VLSI and SMT ADAPTERS and ACCESSORIES —

2344 Walsh Avenue, Bldg.F
Santa Clara, Ca 95051

TEL:(408)982-0660
FAX:(408)982-0664

SHEET: 1 OF 1	DATE: 07/06/04	REVISION: B	ASSEMBLY DRAWING
CHECKED: Perry Munroe	DRAWN: Huy Nguyen		
Scale 1:1		DO NOT SCALE DRAWING	DESCRIPTION: S-QFP-SM-144-B