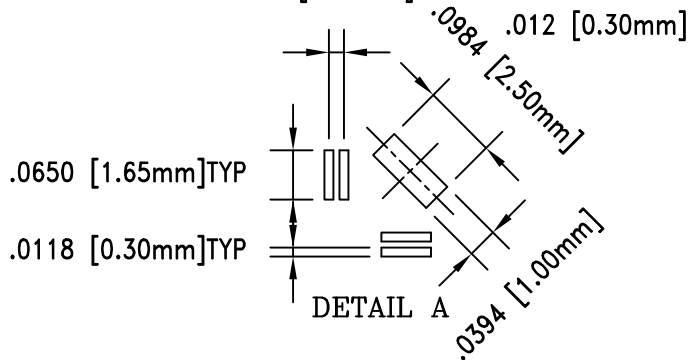
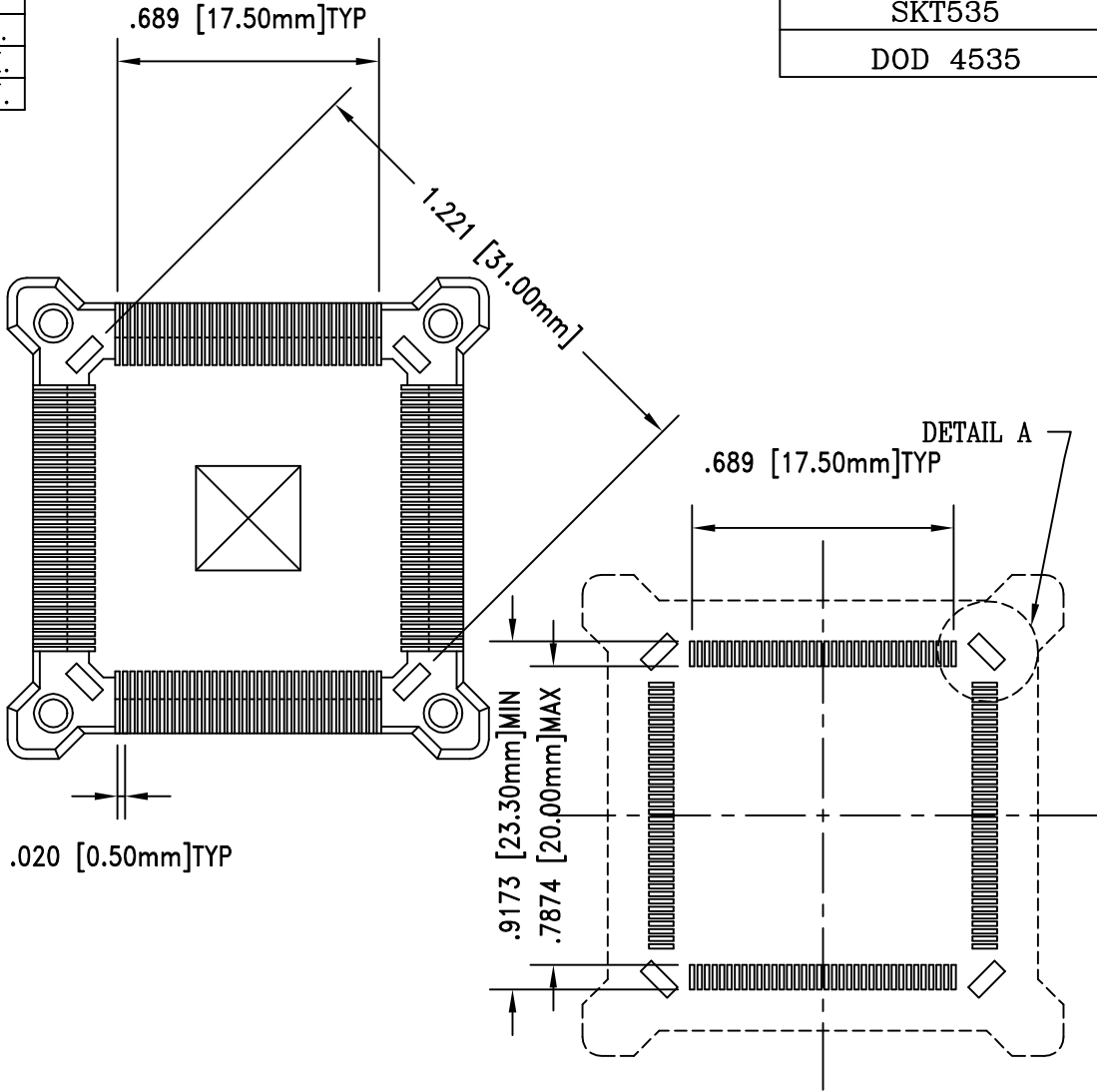
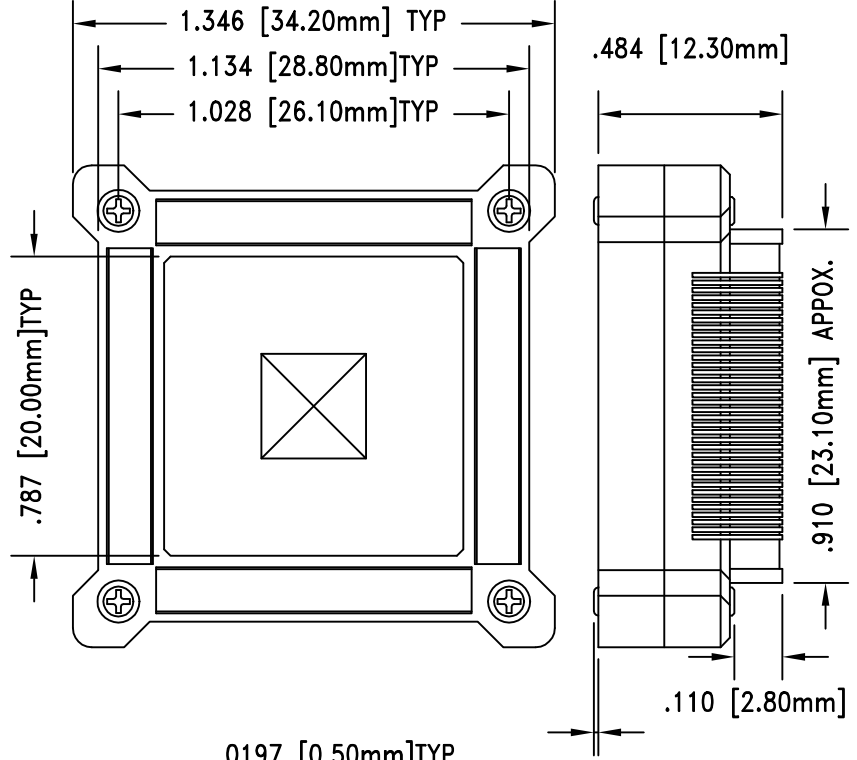


REV	DESCRIPTION	DATE	BY
A	NEW DRAWING	6/19/01	A.F.
B	DELETED THE MOUNTING HOLES	12/11/01	P.M.
C	ADDED DIMENSIONS	07/01/02	H.N.

SKT535
DOD 4535



SCALE 2:1

RECOMMENDED PCB LAYOUT

ALL DIMENSIONS ARE IN INCHES UNLESS OTHERWISE SPECIFIED

Emulation Technology, Inc.
— VLSI and SMT ADAPTERS and ACCESSORIES —

2344 Walsh Avenue, Bldg. F Santa Clara, Ca 95051
TEL:(408)982-0660 FAX:(408)982-0664

SHEET: 1 OF 1	DATE: 07/01/02	REVISION: C	ASSEMBLY DRAWING
CHECKED: Perry Munroe	DRAWN: Huy Nguyen	ITEM: S-QFP-SM-144-A	
DO NOT SCALE DRAWING			DESCRIPTION: S-QFP-SM-144-A

PACKAGE SPECIFICATIONS	
PIN COUNT	≡ 144
LEAD PITCH	≡ 0.50mm
PACKAGE SIZE	≡ 20.00mm SQUARE
TIP TO TIP	≡ 22.00mm SQUARE
ET PACKAGE CODE	= 144-QF63D