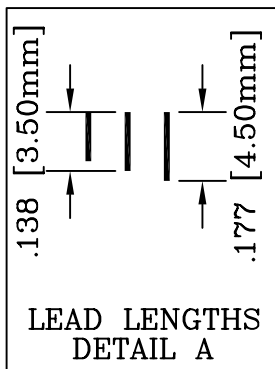
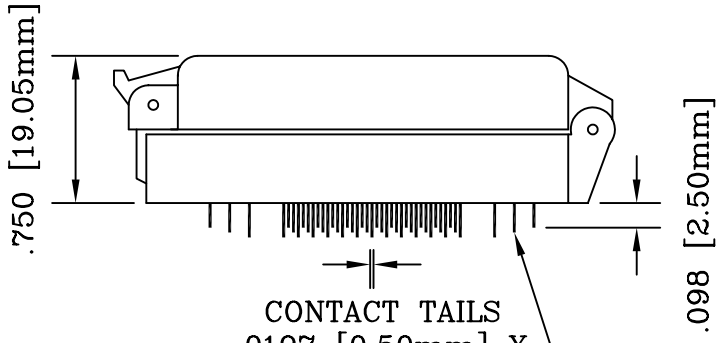
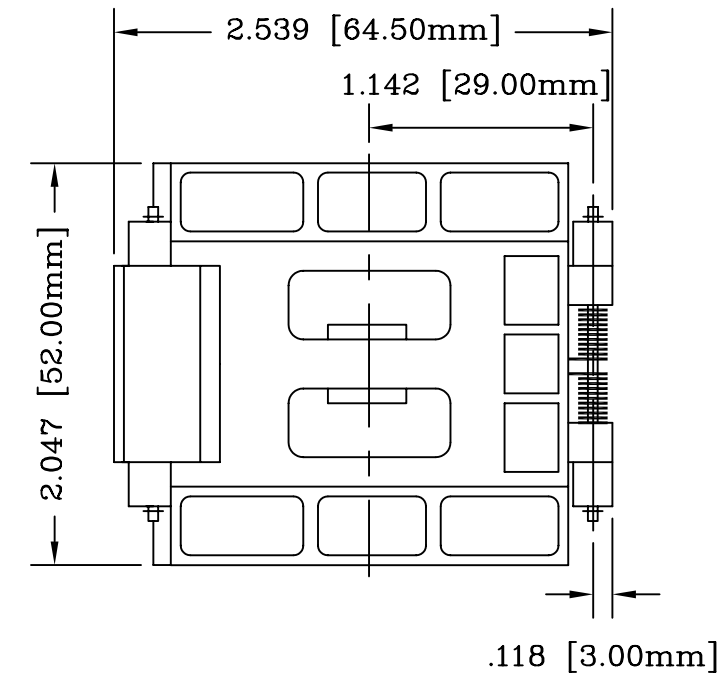


REV	DESCRIPTION	DATE	BY
B	NEW DRAWING	02/22/02	M.D.
C	UPDATED DRAWING & FOOTPRINT	07/22/03	H.N.

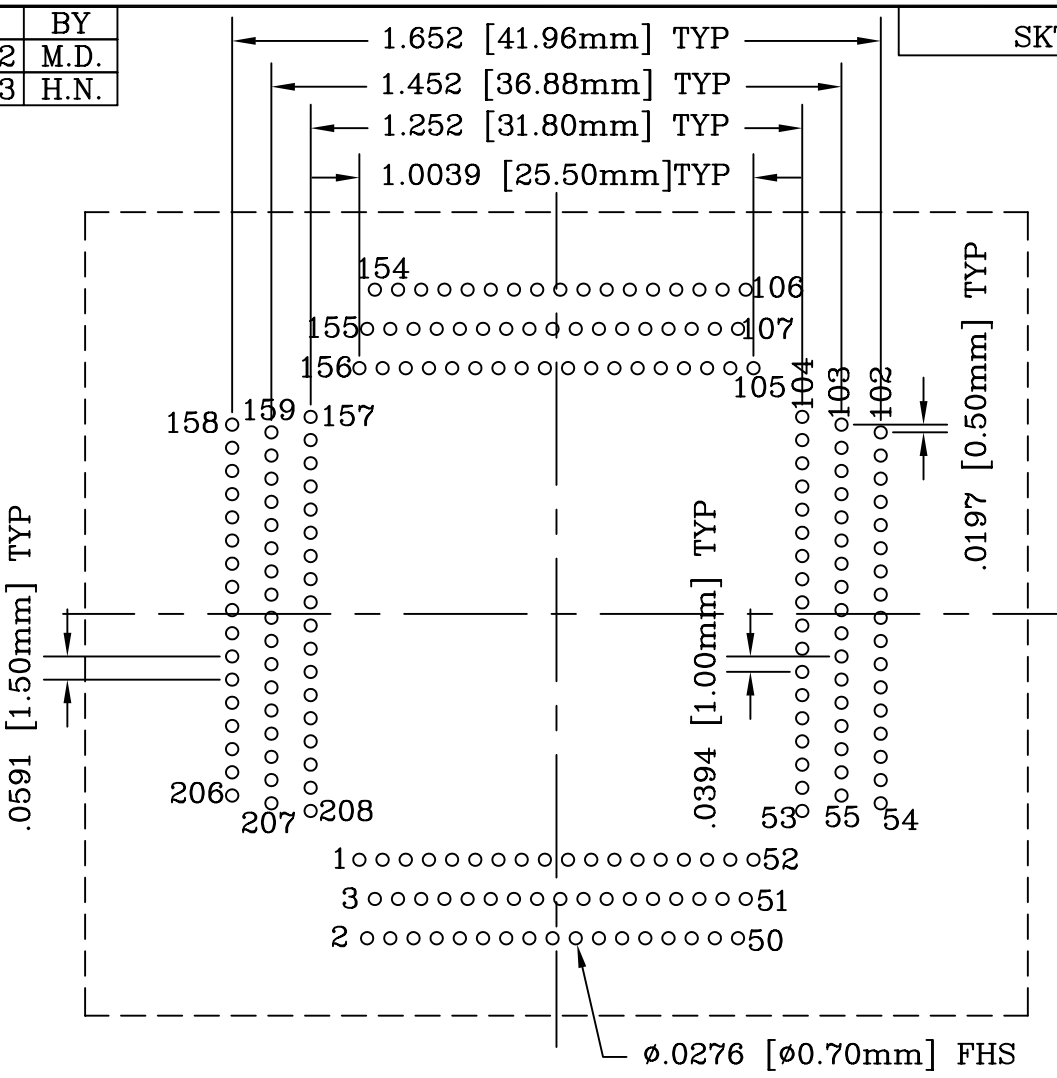
SKT508



CONTACT TAILS  
 .0197 [0.50mm] X  
 .0079 [0.20mm]

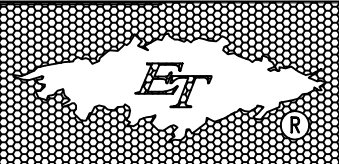
SEE DETAIL A

PACKAGE SPECIFICATIONS	
PIN COUNT	= 208
LEAD PITCH	= 0.50mm
PACKAGE SIZE	= 28.00mm SQ
TIP TO TIP	= 30.60mm SQ
ET PACKAGE CODE	= 208-QF21C



RECOMMENDED PCB LAYOUT  
 AS SEEN FROM TOP OF SOCKET

ALL DIMENSIONS ARE IN INCHES UNLESS OTHERWISE SPECIFIED



**Emulation Technology, Inc.**  
 — VLSI and SMT ADAPTERS and ACCESSORIES —  
 2344 Walsh Avenue, Bldg.F Santa Clara, Ca 95051  
 TEL:(408)982-0660 FAX:(408)982-0664

SHEET: 1 OF 1	DATE: 07/22/03	REVISION: C	<b>ASSEMBLY DRAWING</b>
CHECKED: Perry Munroe	DRAWN: Huy Nguyen	ITEM: S-QFP-00-208-A1	
Scale 1:1			DO NOT SCALE DRAWING
DESCRIPTION: S-QFP-00-208-A1			