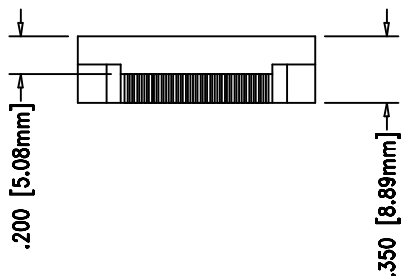
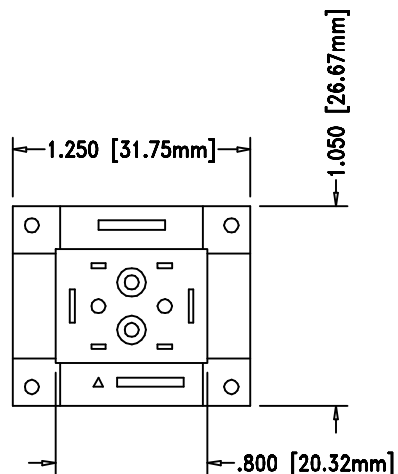


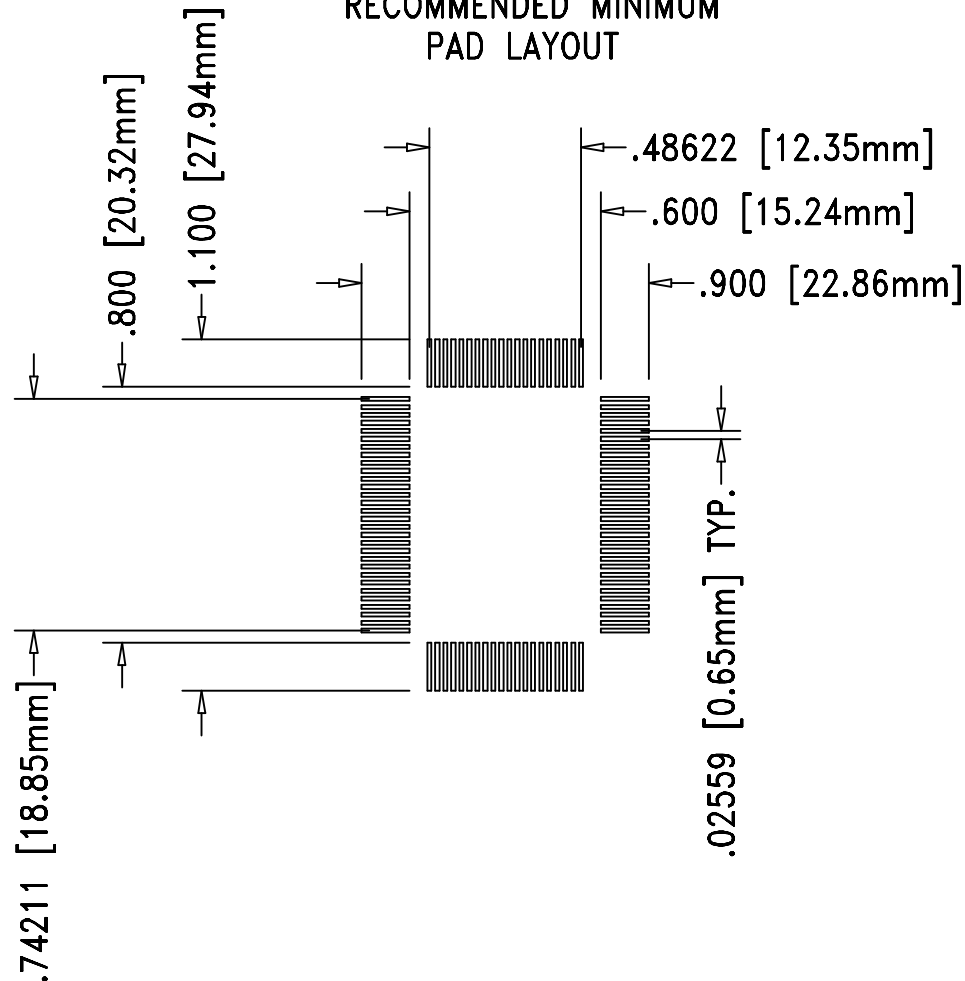
DIMENSIONS ARE IN INCHES[MILLIMETERS]

SKT503

DOD 4503



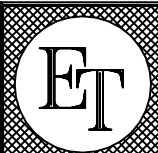
RECOMMENDED MINIMUM
PAD LAYOUT



SURFACE MOUNT SOCKET

ET-PACKAGE CODE= 100-QF06B

- LEAD COUNT= 100
- BODY SIZE= 14X20mm
- LEAD PITCH= 0.65mm
- TIP TO TIP= 23.2mm



Emulation Technology, Inc.

— VLSI and SMT ADAPTERS and ACCESSORIES —

2344 Walsh Avenue, Bldg. F
Santa Clara, Ca 95051

TEL:(408)982-0660
FAX:(408)982-0664

SHEET:
1 OF 1

DATE:
6-09-00

REVISION:

TEST & BURN IN SOCKET

CHECKED:
Paula Olson

DRAWN:
Miguel Delgadillo

E.T. PART #: S-QFP-SM-100-D

DO NOT SCALE DRAWING

ID CODE: S-QFP-SM-100-D