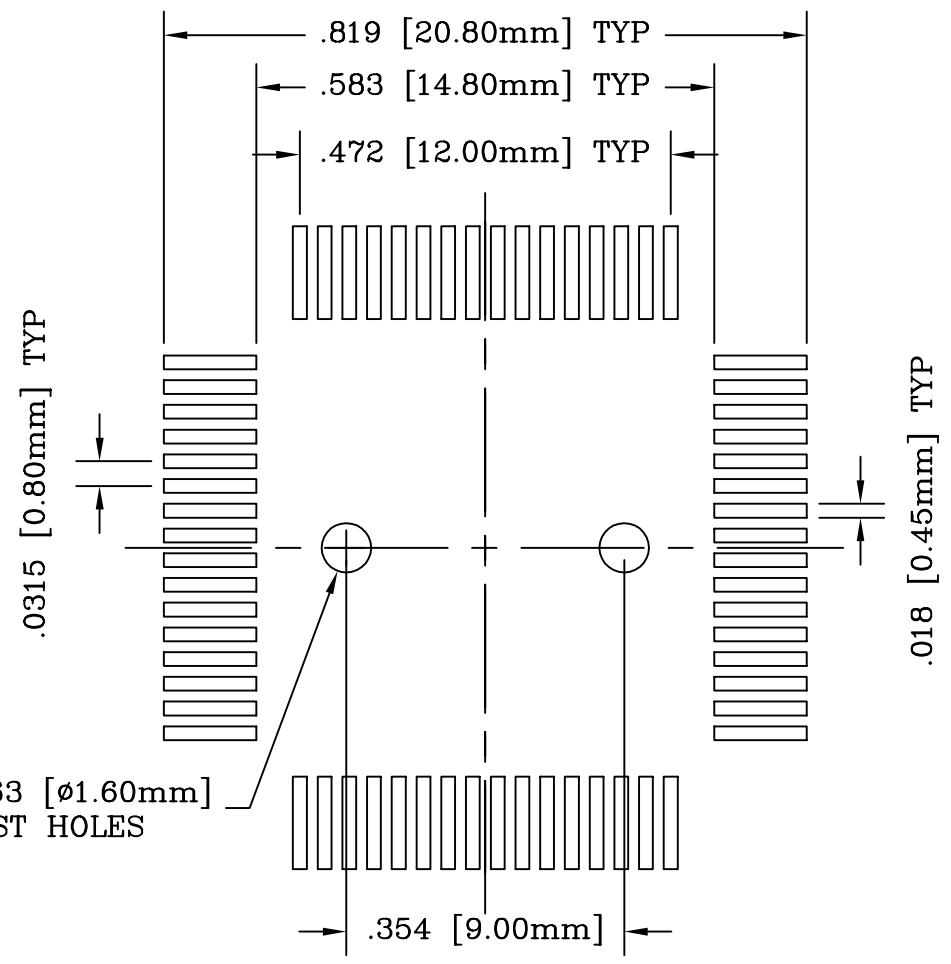
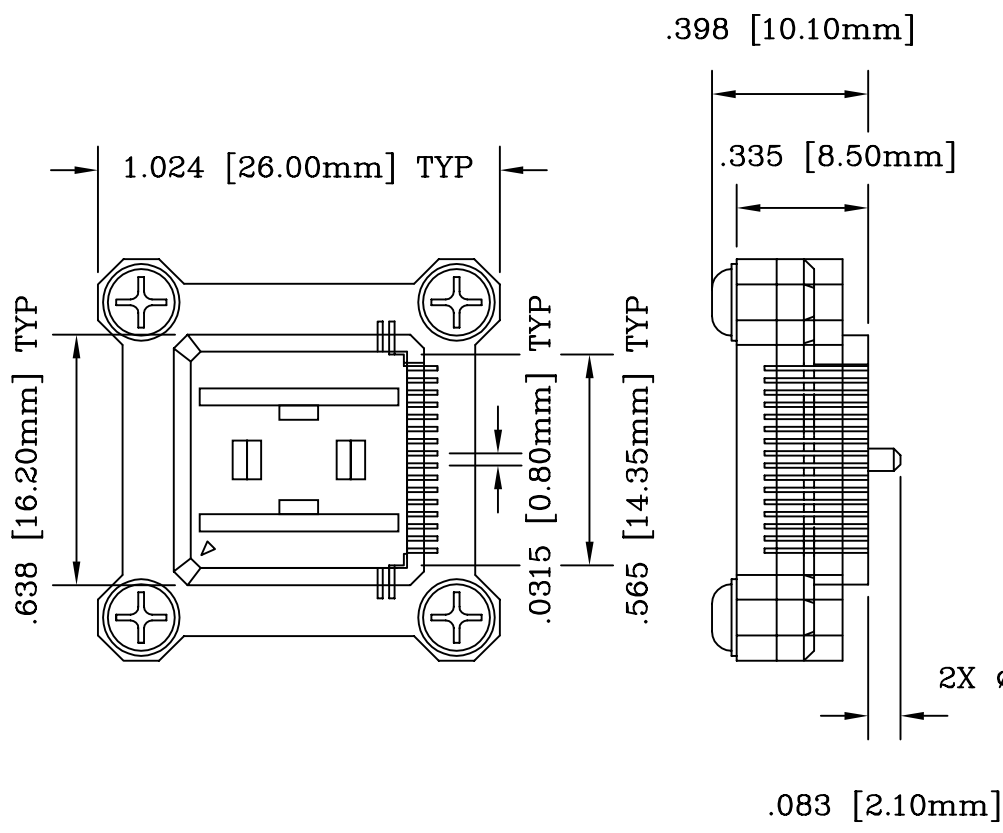


REV	DESCRIPTION	DATE	BY
A	NEW DRAWING	6/9/00	M.D.
B	UPDATED PAD	6/6/01	A.F.
C	UPDATED DRAWING & DIMENSIONS	02/14/02	H.N.

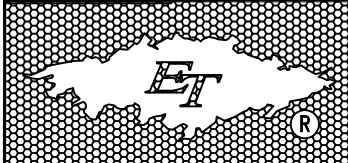
SKT501  
DOD 4501



## RECOMMENDED PCB LAYOUT

ALL DIMENSIONS ARE IN INCHES UNLESS OTHERWISE SPECIFIED

PACKAGE SPECIFICATIONS	
PIN COUNT	= 64
LEAD PITCH	= 0.80mm
PACKAGE SIZE	= 14.00mm SQUARE
TIP TO TIP	= 17.20mm SQUARE
ET PACKAGE CODE	= 64-QF29



**Emulation Technology, Inc.**  
 — VLSI and SMT ADAPTERS and ACCESSORIES —  
 2344 Walsh Avenue, Bldg.F Santa Clara, Ca 95051  
 TEL:(408)982-0660 FAX:(408)982-0664

SHEET: 1 OF 1	DATE: 02/14/02	REVISION: C	<b>ASSEMBLY DRAWING</b>
CHECKED: Perry Munroe	DRAWN: Huy Nguyen	ITEM: S-QFP-SM-064-B	
Scale 2:1			DESCRIPTION: S-QFP-SM-064-B