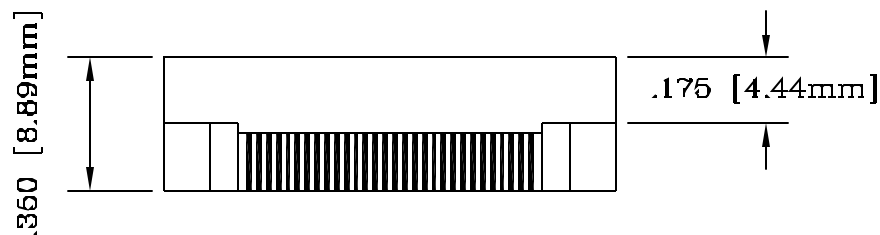
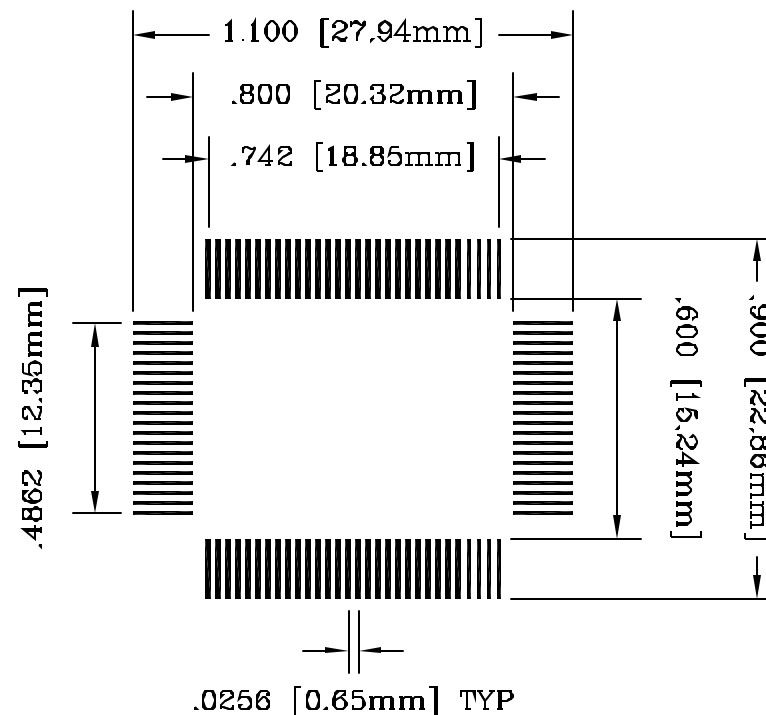
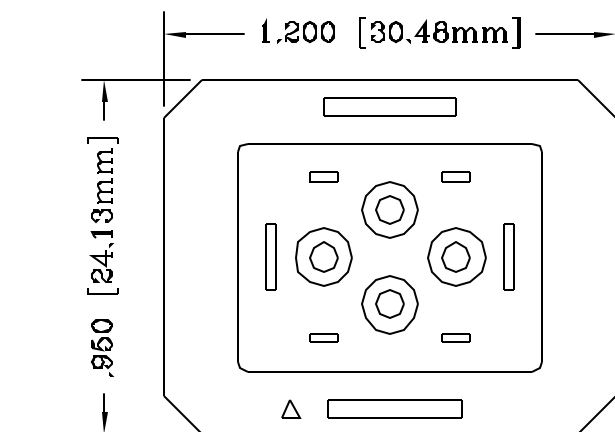


REV	DESCRIPTION	DATE	BY
A	NEW DRAWING	06/09/00	M.D.
B	UPDATED DWG & TOP SOCKET	05/28/02	H.N.

SKT499

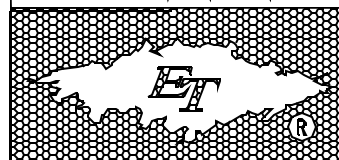
DOD 4499



RECOMMENDED MINIMUM
PAD LAYOUT

PACKAGE SPECIFICATIONS	
PIN COUNT	= 100
LEAD PITCH	= 0.65mm
PACKAGE SIZE	= 14.00X20.00mm
TIP TO TIP	= 23.20 - 23.90mm
ET PACKAGE CODE	= 100-QF6

ALL DIMENSIONS ARE IN INCHES UNLESS OTHERWISE SPECIFIED



Emulation Technology, Inc.

— VLSI and SMT ADAPTERS and ACCESSORIES —

2344 Walsh Avenue, Bldg.F TEL:(408)982-0660
Santa Clara, Ca 95051 FAX:(408)982-0664

SHEET: 1 OF 1	DATE: 05/28/02	REVISION: B	ASSEMBLY DRAWING
CHECKED: Perry Munroe	DRAWN: Huy Nguyen	ITEM: S-QFP-SM-100-A	DESCRIPTION: S-QFP-SM-100-A
Scale 1:2	DO NOT SCALE DRAWING		