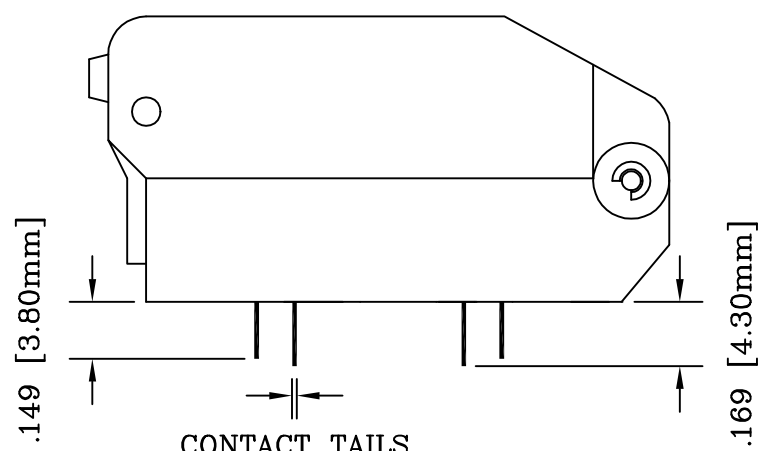
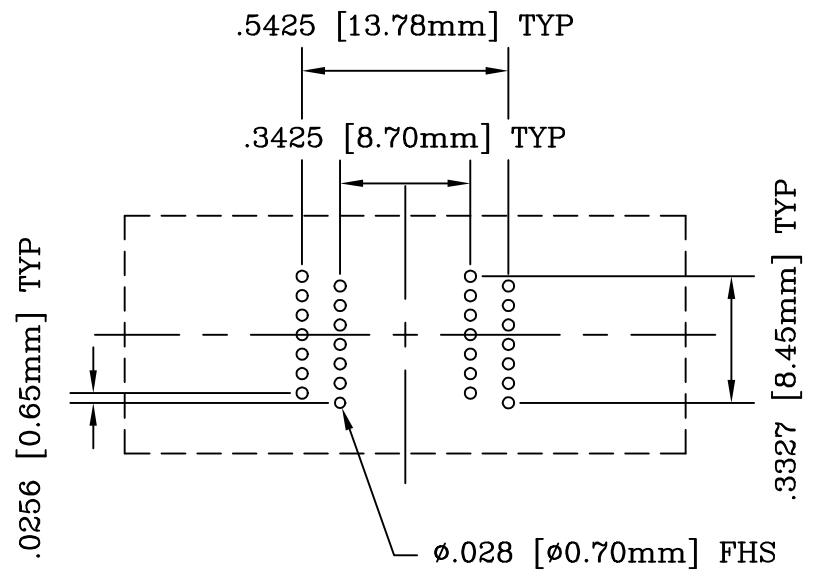
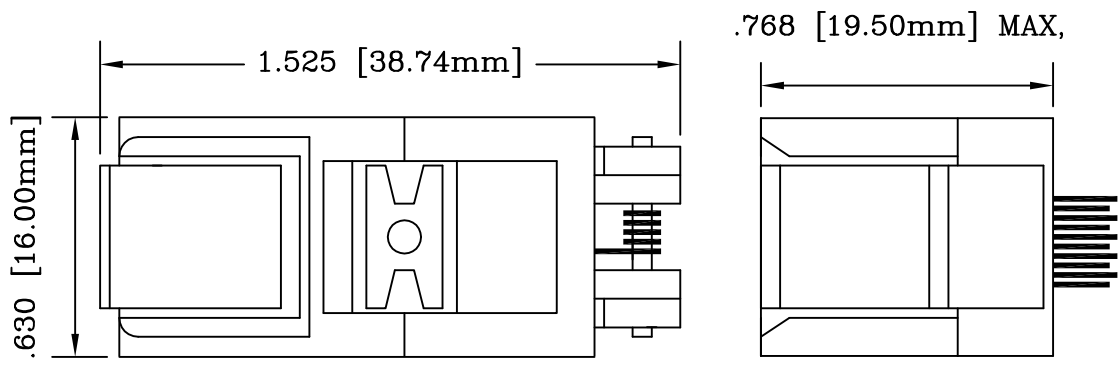


REV	DESCRIPTION	DATE	BY
A	NEW DRAWING	2/21/01	A.F.
B	UPDATED DWG & FOOTPRINT	08/22/02	H.N.

SKT492
DOD 4492



CONTACT TAILS
.0157 [0.40mm] X
.0118 [0.30mm]

RECOMMENDED PCB LAYOUT
AS SEEN FROM TOP OF SOCKET

PACKAGE SPECIFICATIONS	
PIN COUNT	= 28
LEAD PITCH	= 0.65mm
PACKAGE WIDTH	= 5.30mm
ET PACKAGE CODE	= 28-SS34

ALL DIMENSIONS ARE IN INCHES UNLESS OTHERWISE SPECIFIED

Emulation Technology, Inc.
— VLSI and SMT ADAPTERS and ACCESSORIES —

2344 Walsh Avenue, Bldg.F Santa Clara, Ca 95051
TEL:(408)982-0660 FAX:(408)982-0664

SHEET: 1 OF 1	DATE: 08/22/02	REVISION: B	ASSEMBLY DRAWING
CHECKED: Perry Munroe	DRAWN: Huy Nguyen	◎ ◁	ITEM: S-SSO-00-028-A
Scale 1:2 DO NOT SCALE DRAWING			DESCRIPTION: S-SSO-00-028-A