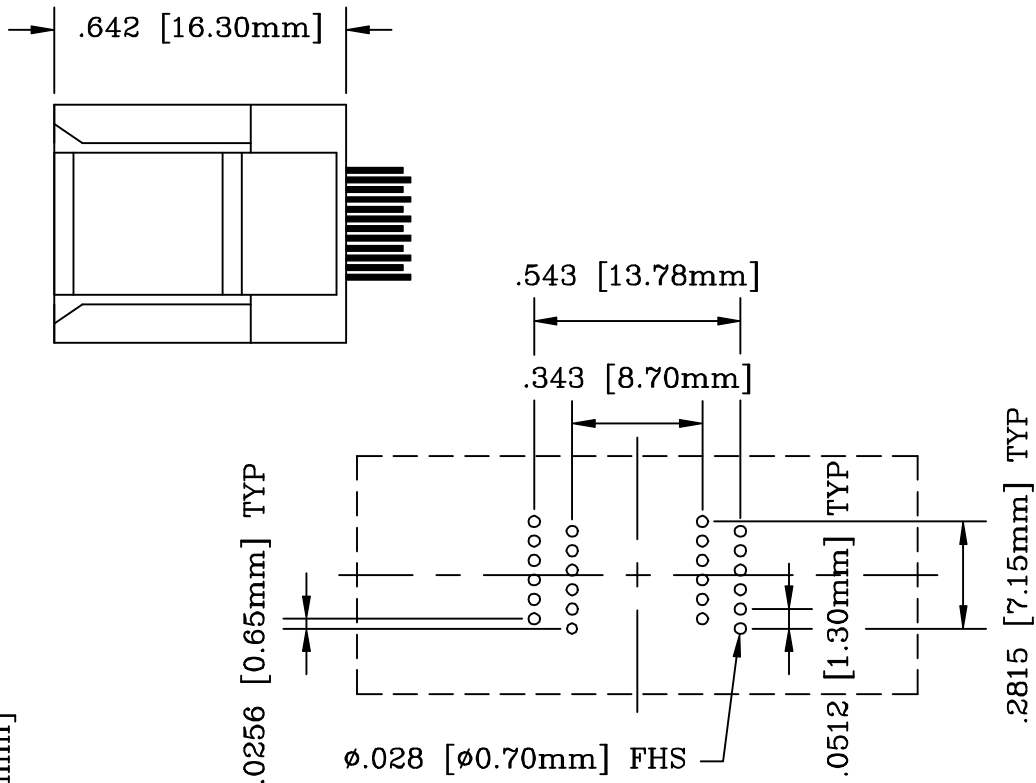
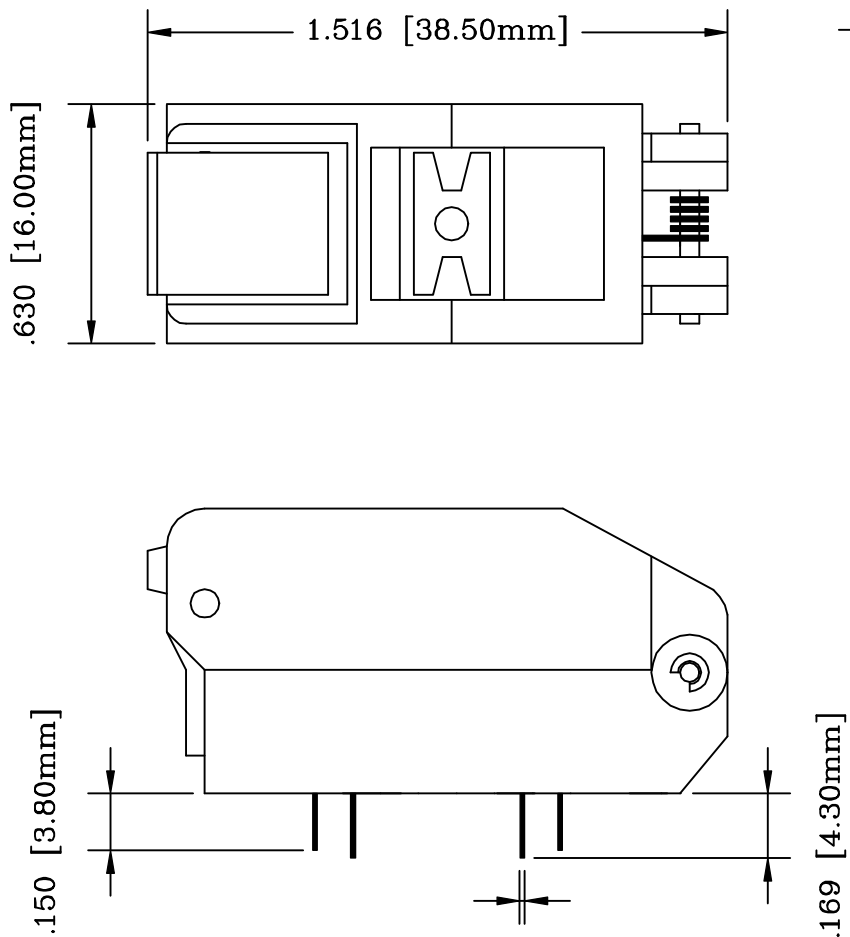


REV	DESCRIPTION	DATE	BY
A	NEW DRAWING	02/21/01	A.F.
B	UPDATED DRAWING & FOOTPRINT	04/10/03	H.N.

SKT491
DOD 4491

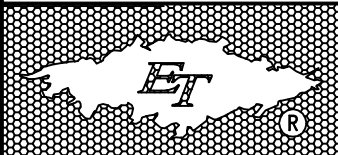


CONTACT TAILS
.0157 [0.40mm] X
.0118 [0.30mm]

RECOMMENDED PCB LAYOUT
AS SEEN FROM TOP OF SOCKET

PACKAGE SPECIFICATIONS	
PIN COUNT	= 24
LEAD PITCH	= 0.65mm
PACKAGE WIDTH	= 5.30mm

ALL DIMENSIONS ARE IN INCHES UNLESS OTHERWISE SPECIFIED



Emulation Technology, Inc.
— VLSI and SMT ADAPTERS and ACCESSORIES —

2344 Walsh Avenue, Bldg.F
Santa Clara, Ca 95051
TEL:(408)982-0660
FAX:(408)982-0664

SHEET: 1 OF 1	DATE: 04/10/03	REVISION: A	ASSEMBLY DRAWING
CHECKED: Perry Munroe	DRAWN: Hanh Nguyen	ITEM: S-SSO-00-024-A	
Scale 2:1	DO NOT SCALE DRAWING	DESCRIPTION: S-SSO-00-024-A	