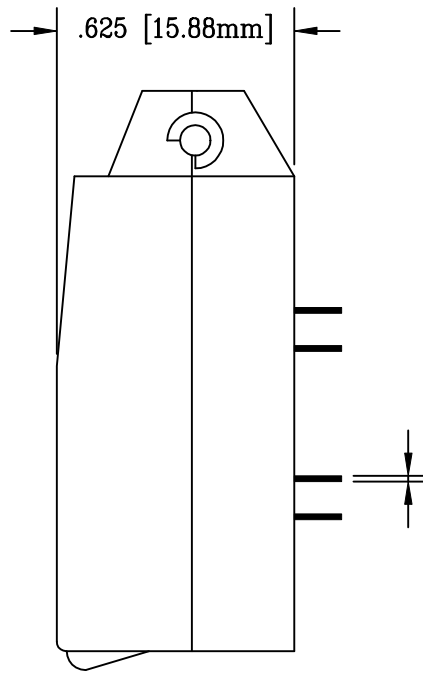
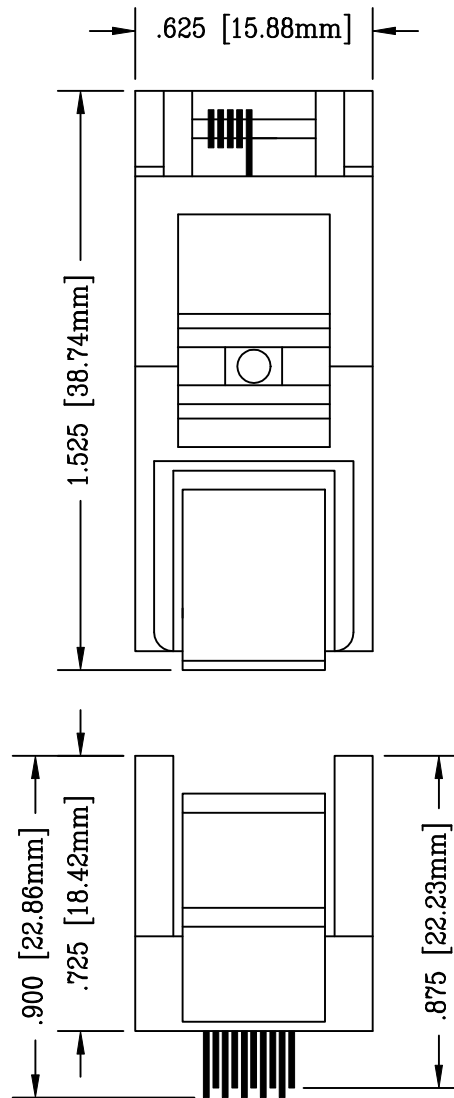
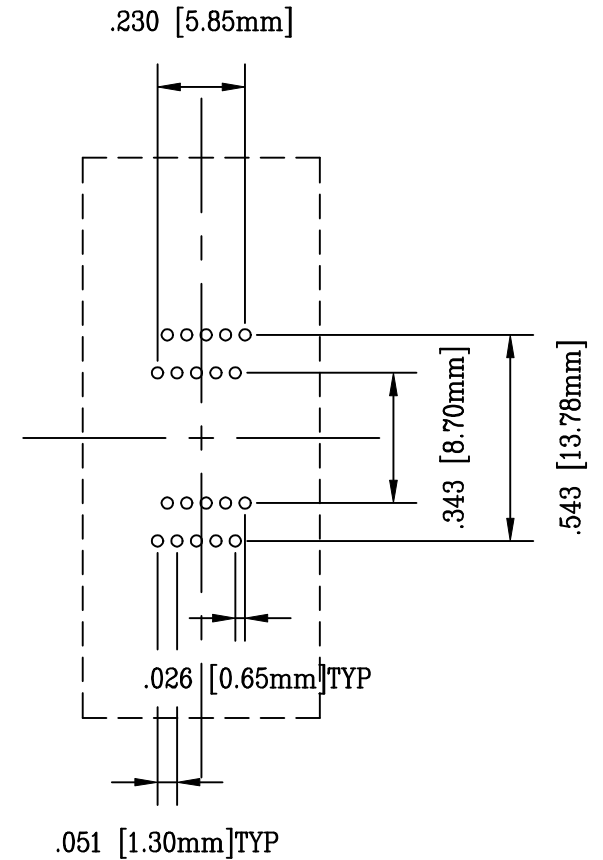


SKT490

DOD 4490



CONTACT TAILS
 .0157 [0.40mm] X
 .0118 [0.30mm]



RECOMMENDED PCB LAYOUT
 AS SEEN FROM TOP OF SOCKET

SCALE 2:1

| PACKAGE SPECIFICATIONS | |
|------------------------|----------|
| PIN COUNT | = 20 |
| LEAD PITCH | = 0.65mm |
| PACKAGE WIDTH | = 5.30mm |

ALL DIMENSIONS ARE IN INCHES UNLESS OTHERWISE SPECIFIED



Emulation Technology, Inc.

— VLSI and SMT ADAPTERS and ACCESSORIES —

2344 Walsh Avenue, Bldg. F
 Santa Clara, Ca 95051

TEL: (408) 982-0660
 FAX: (408) 982-0664

| | | | |
|--------------------------|----------------------|-------------------------|--------------------------------|
| SHEET: 1 OF 1 | DATE: 2/21/01 | REVISION: | ASSEMBLY DRAWING |
| CHECKED: Perry Munroe | DRAWN: Aaron Fine | ITEM: S-SSO-00-020-B | |
| DO NOT SCALE DRAWING | | | DESCRIPTION: S-SSO-00-020-B |