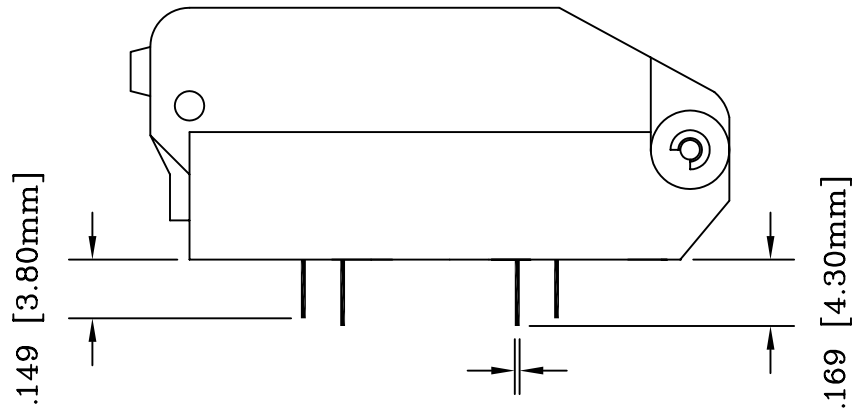
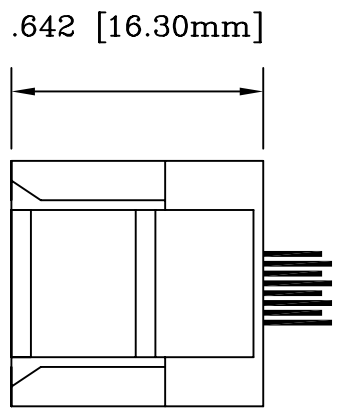
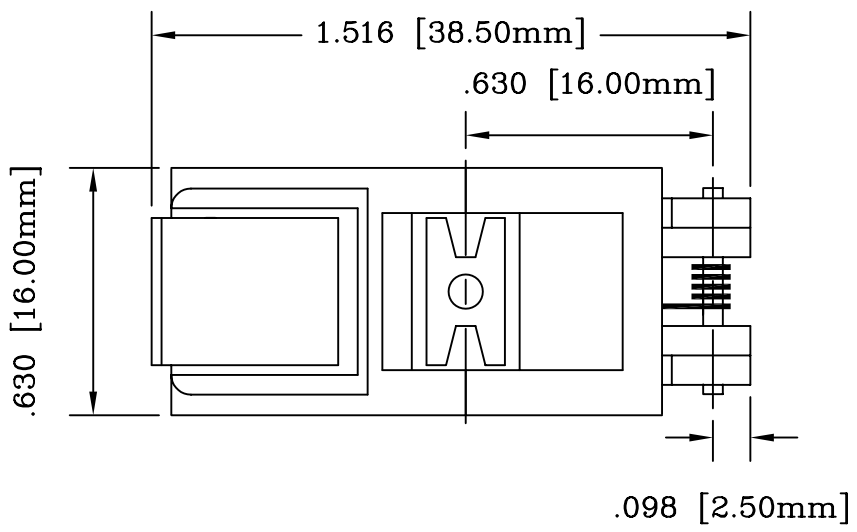
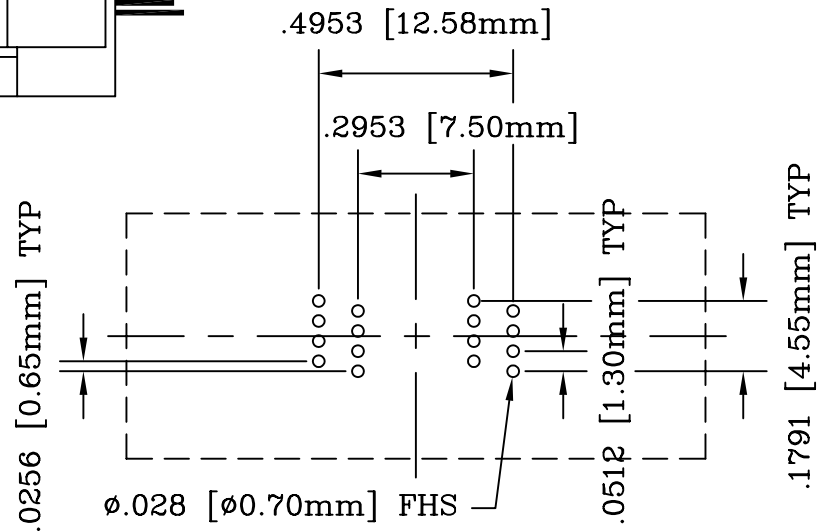


REV	DESCRIPTION	DATE	BY
A	NEW DRAWING	05/04/95	G.G.
B	UPDATED DRAWING	10/14/05	H.N.

SKT488



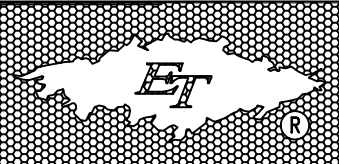
CONTACT TAILS
.0157 [0.40mm] X
.0118 [0.30mm]



RECOMMENDED PCB LAYOUT
AS SEEN FROM TOP OF SOCKET

PACKAGE SPECIFICATIONS	
PIN COUNT	= 16
LEAD PITCH	= 0.65mm
PACKAGE WIDTH	= 4.40mm
ET PACKAGE CODE	= 16-SS03

ALL DIMENSIONS ARE IN INCHES UNLESS OTHERWISE SPECIFIED



Emulation Technology, Inc.
— VLSI and SMT ADAPTERS and ACCESSORIES —

2344 Walsh Avenue, Bldg.F Santa Clara, Ca 95051
TEL:(408)982-0660 FAX:(408)982-0664

SHEET: 1 OF 1	DATE: 10/14/05	REVISION: B	ASSEMBLY DRAWING
CHECKED: Perry Munroe	DRAWN: Huy Nguyen		
Scale 2:1	DO NOT SCALE DRAWING		DESCRIPTION: S-SS0-00-016-A