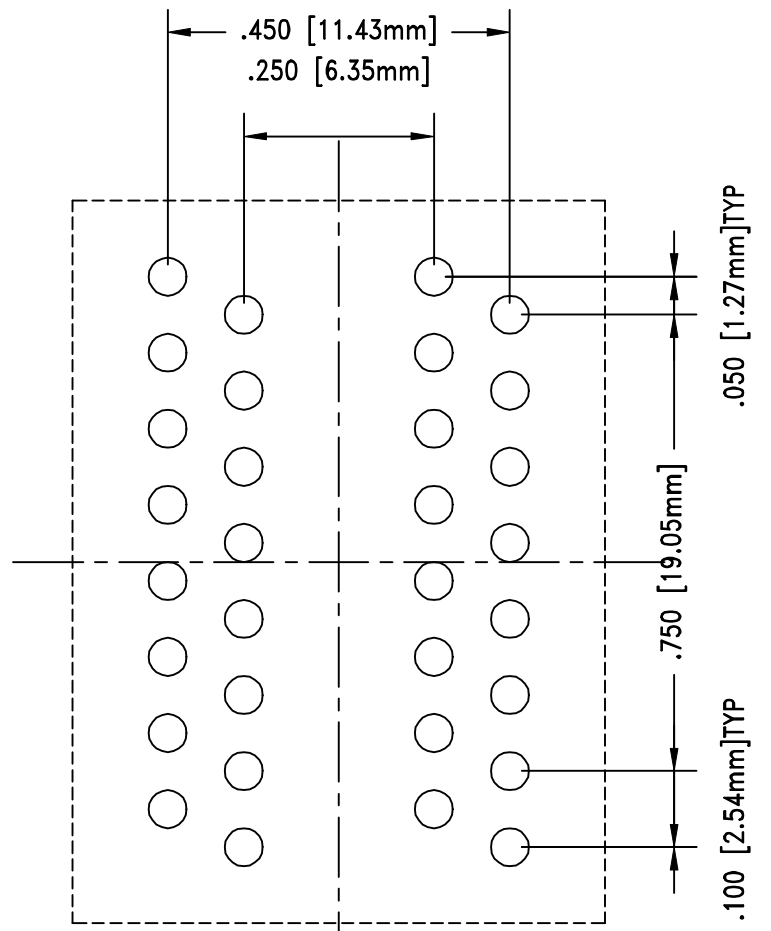
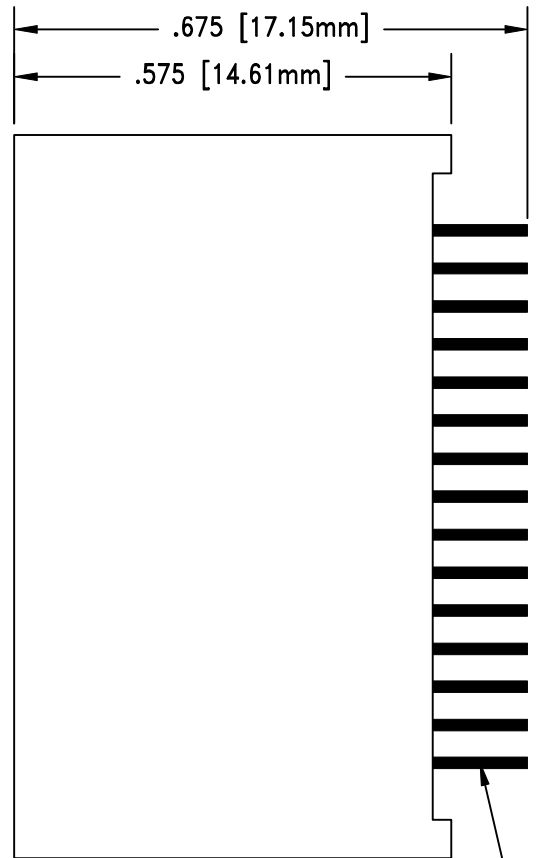
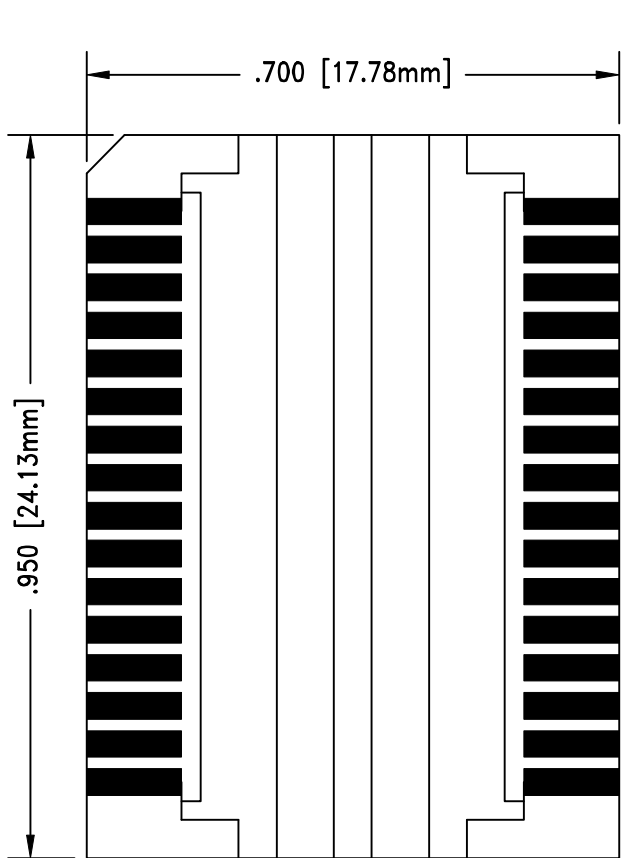


SKT458

DOD 4458



CONTACT TAILS
 .0138 [0.35mm] X
 .0078 [0.20mm]

SCALE 4:1

PACKAGE SPECIFICATIONS	
PIN COUNT	≡ 32
LEAD PITCH	≡ 1.27
GRID SIZE	≡ 16x2
CHIP SIZE	≡ 7.62mm

ALL DIMENSIONS ARE IN INCHES UNLESS OTHERWISE SPECIFIED



Emulation Technology, Inc.
 — VLSI and SMT ADAPTERS and ACCESSORIES —

2344 Walsh Avenue, Bldg. F
 Santa Clara, Ca 95051

TEL:(408)982-0660
 FAX:(408)982-0664

SHEET: 1 OF 1	DATE: 1/3/01	REVISION:	ASSEMBLY DRAWING
CHECKED: Perry Munroe	DRAWN: Aaron Fine	ITEM: S-SOJ-00-032-B	
DO NOT SCALE DRAWING			DESCRIPTION: S-SOJ-00-032-B