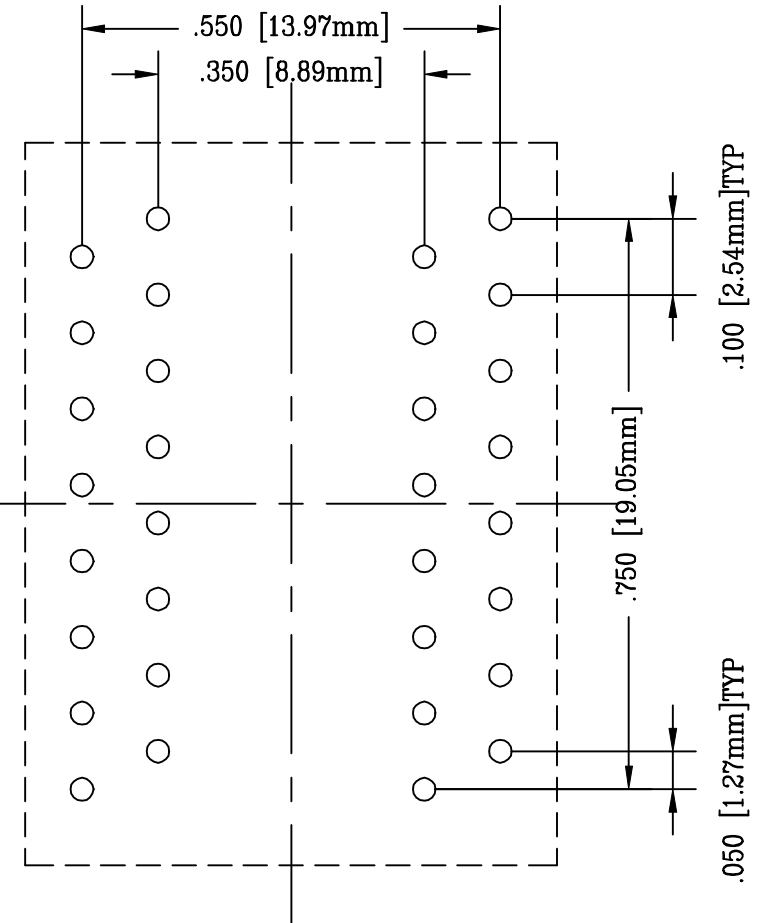
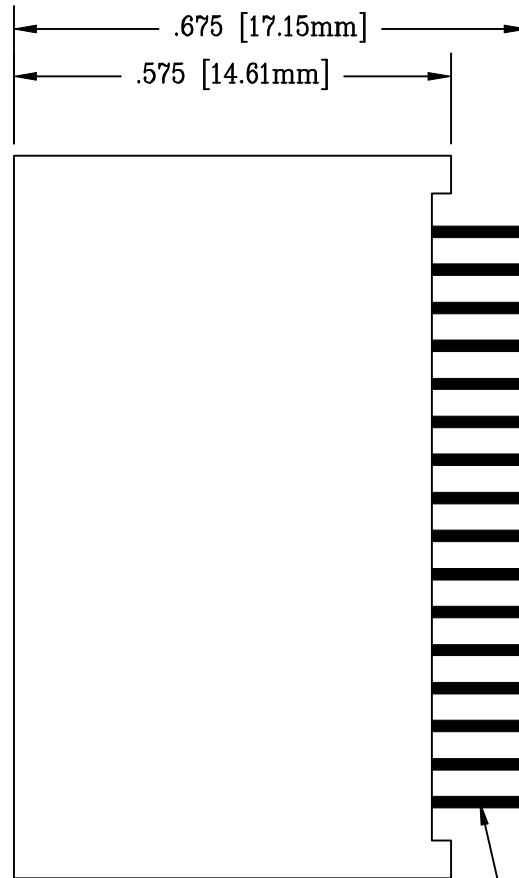
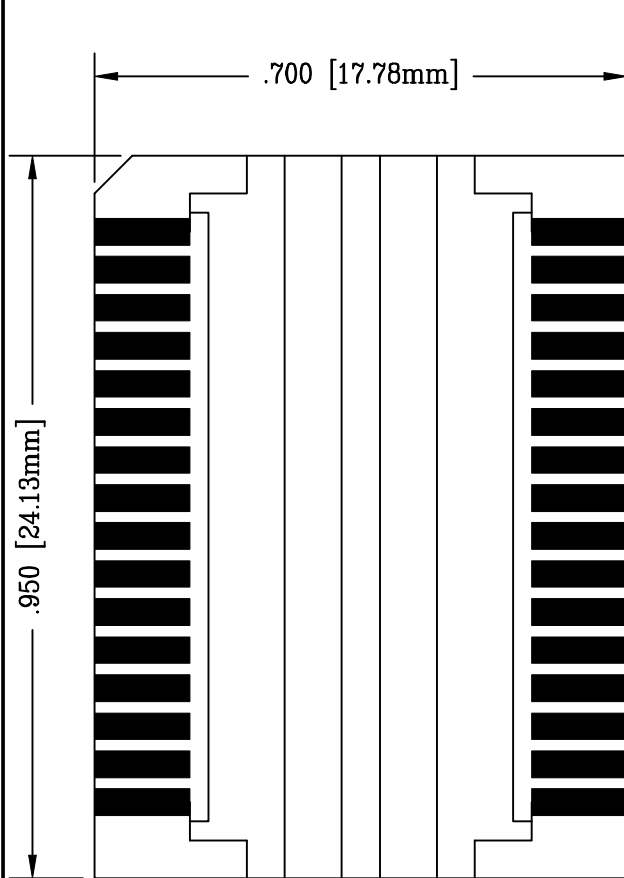


SKT457

DOD 4457



SCALE 4:1

CONTACT TAILS  
 .0138 [0.35mm] X  
 .0098 [0.25mm]

RECOMMENDED PCB LAYOUT  
 AS SEEN FROM TOP OF SOCKET

PACKAGE SPECIFICATIONS	
PIN COUNT	= 32
LEAD PITCH	= 1.27mm
GRID SIZE	= 16x2
CHIP SIZE	= 10.16mm

ALL DIMENSIONS ARE IN INCHES UNLESS OTHERWISE SPECIFIED



**Emulation Technology, Inc.**

— VLSI and SMT ADAPTERS and ACCESSORIES —

2344 Walsh Avenue, Bldg. F  
 Santa Clara, Ca 95051

TEL:(408)982-0660  
 FAX:(408)982-0664

SHEET:  
 1 OF 1

DATE:  
 1/4/01

REVISION:

**ASSEMBLY DRAWING**

CHECKED:  
 Perry Munroe

DRAWN:  
 Aaron Fine

ITEM: S-SOJ-00-032-A

DO NOT SCALE DRAWING

DESCRIPTION:  
 S-SOJ-00-032-A