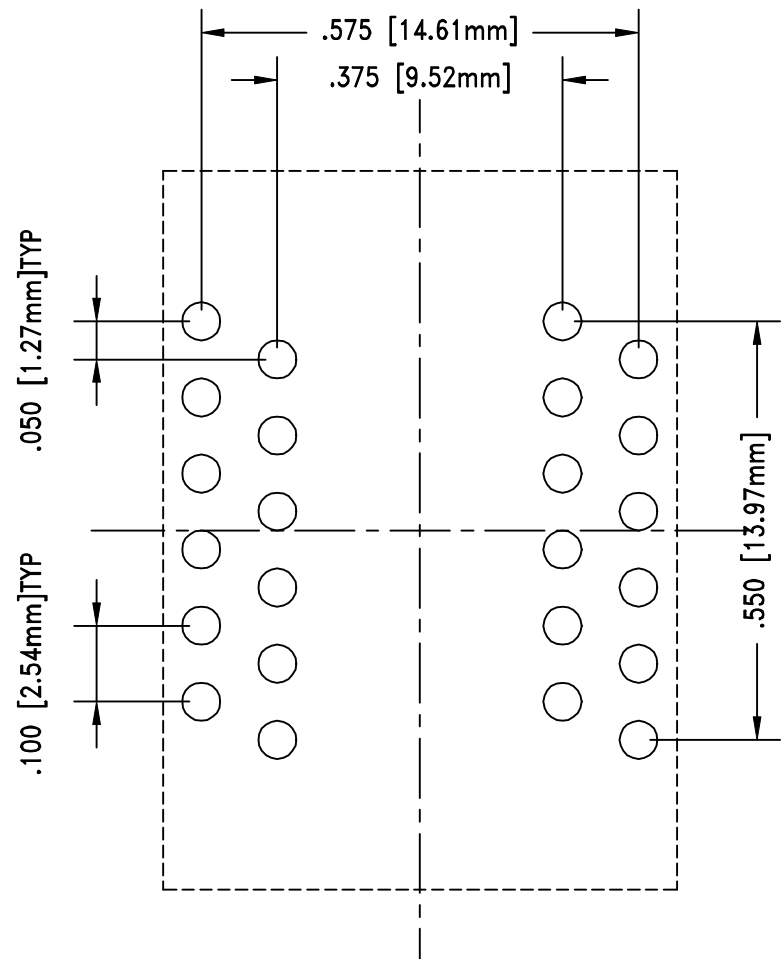
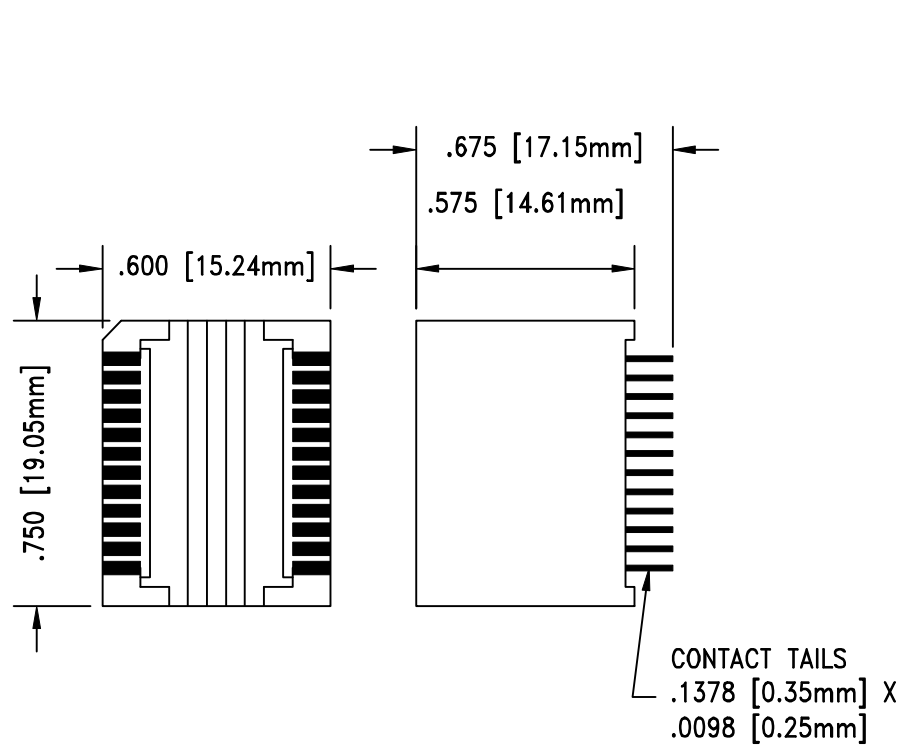


SKT451

DOD 4451



SCALE 2:1

RECOMMENDED PCB LAYOUT
 AS SEEN FROM TOP OF SOCKET

PACKAGE SPECIFICATIONS	
PIN COUNT	= 24
LEAD PITCH	= 1.27mm
GRID SIZE	= 12x2
CHIP SIZE	= 7.62mm

ALL DIMENSIONS ARE IN INCHES UNLESS OTHERWISE SPECIFIED



Emulation Technology, Inc.

— VLSI and SMT ADAPTERS and ACCESSORIES —

2344 Walsh Avenue, Bldg. F
 Santa Clara, Ca 95051

TEL:(408)982-0660
 FAX:(408)982-0664

SHEET: 1 OF 1	DATE: 1/3/01	REVISION:	ASSEMBLY DRAWING
CHECKED: Parry Munroe	DRAWN: Aaron Fine	ITEM: S-SOJ-00-024-A	
DO NOT SCALE DRAWING			DESCRIPTION: S-SOJ-00-024-A