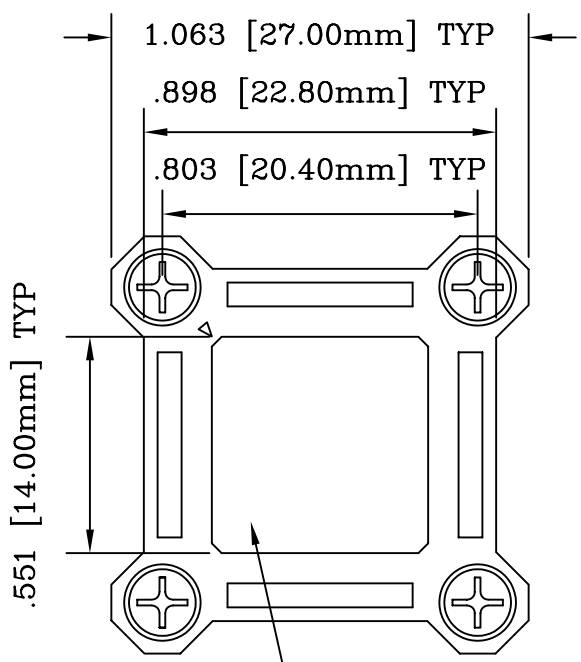
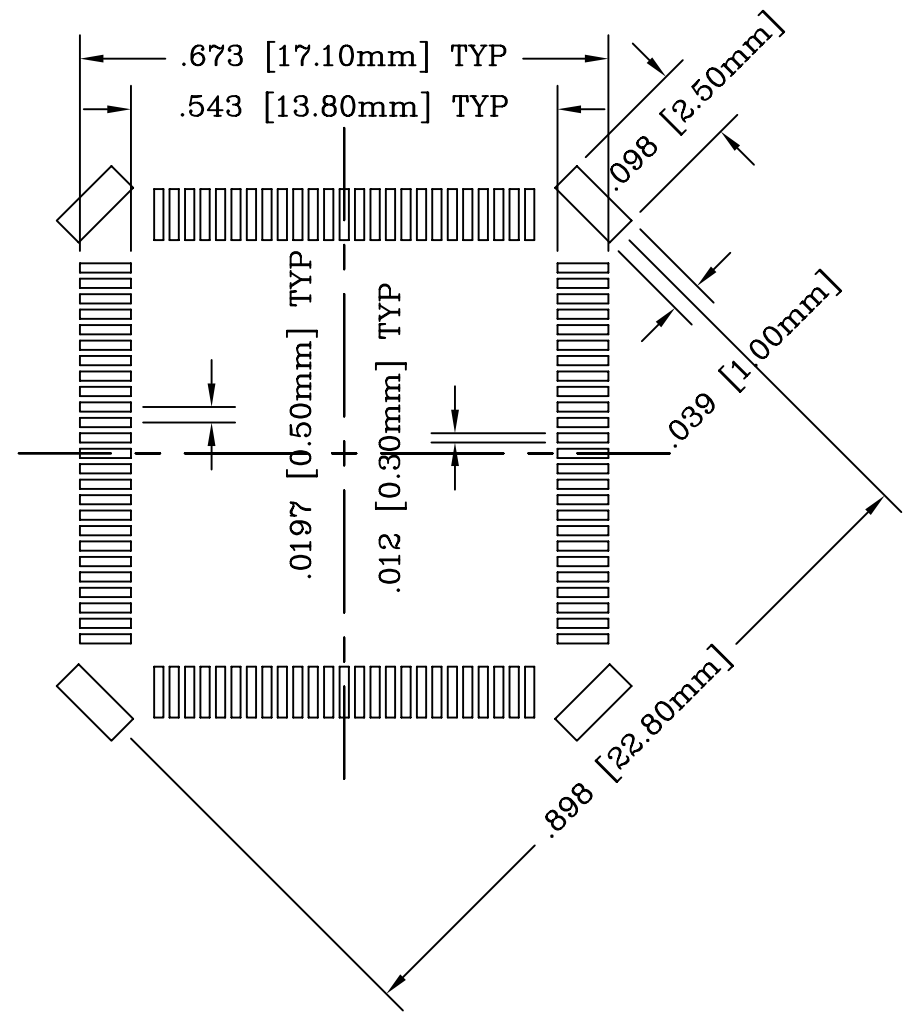
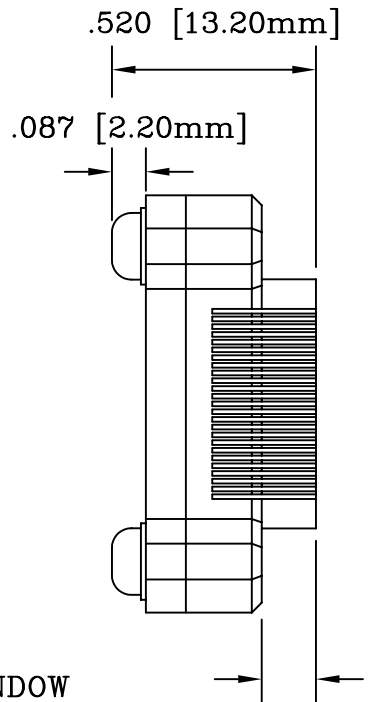


REV	DESCRIPTION	DATE	BY
A	NEW DRAWING	1/25/01	A.F.
B	UPDATED DRAWING & DIMS	11/19/01	H.N.
C	ADDED NOTE	02/21/02	H.N.
D	CHANGED 26.00 TO 27.00mm	08/16/02	H.N.
E	ADDED NOTE OPEN WINDOW	12/20/05	H.N.

SKT428



14mm OPEN WINDOW
TOP LID

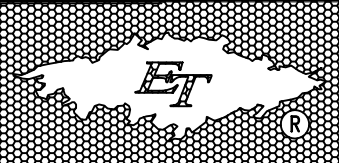


RECOMMENDED SMT LAYOUT

NOTE:
POSITIONING PINS ON BOTTOM NOT INCLUDED

PACKAGE SPECIFICATIONS
PIN COUNT = 100
LEAD PITCH = 0.50mm
GRID SIZE = 25x4
CHIP SIZE = 14.00mm
ET PACKAGE CODE = 100-QF49D

ALL DIMENSIONS ARE IN INCHES UNLESS OTHERWISE SPECIFIED



Emulation Technology, Inc.
— VLSI and SMT ADAPTERS and ACCESSORIES —
2344 Walsh Avenue, Bldg.F Santa Clara, Ca 95051
TEL:(408)982-0660 FAX:(408)982-0664

SHEET: 1 OF 1	DATE: 08/16/02	REVISION: E	ASSEMBLY DRAWING
CHECKED: Perry Munroe	DRAWN: Huy Nguyen	ITEM: S-QFP-SM-100-B	
Scale 2:1	DO NOT SCALE DRAWING	DESCRIPTION: S-QFP-SM-100-B	