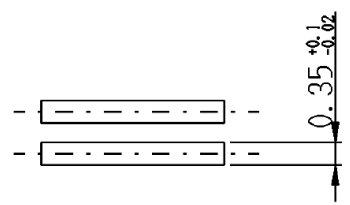
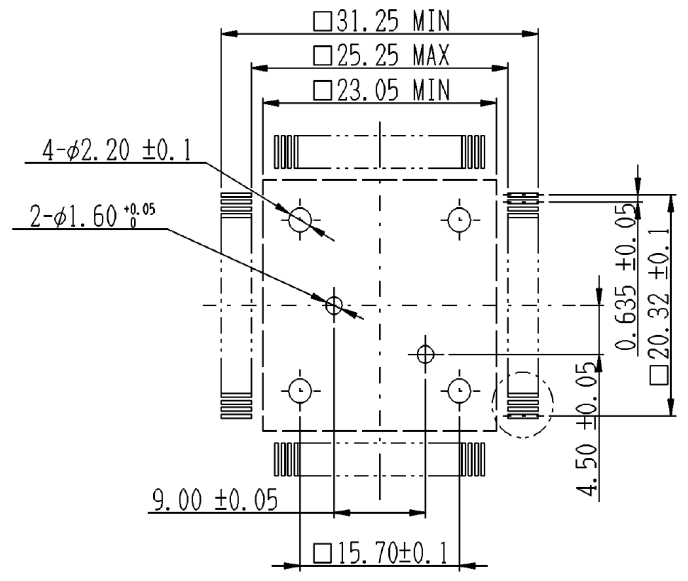
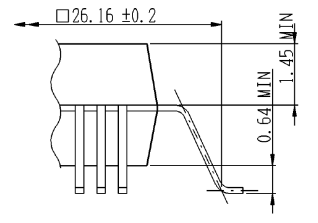
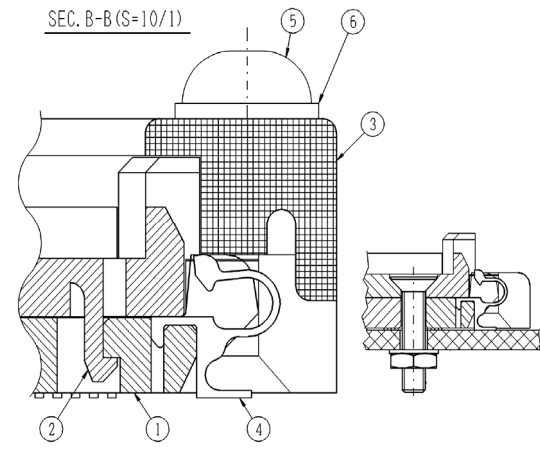
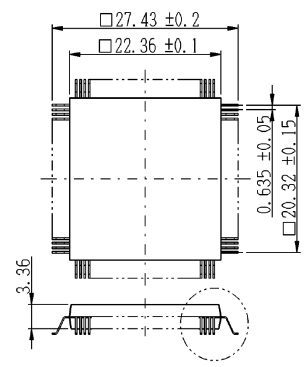
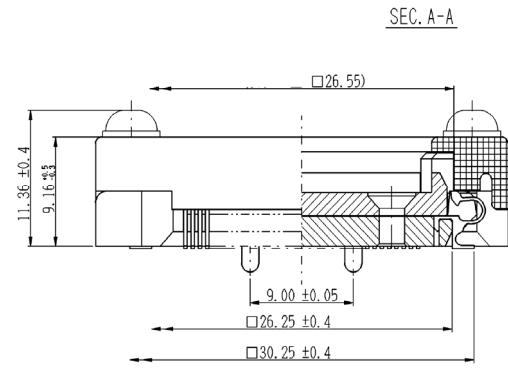
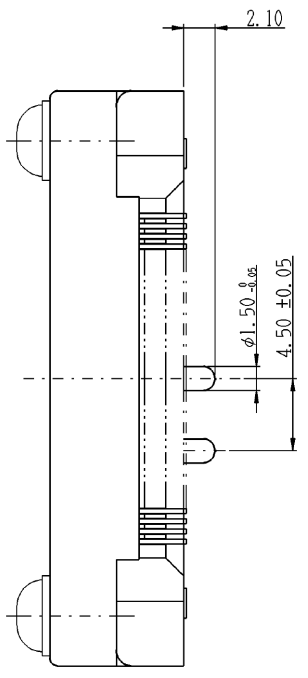
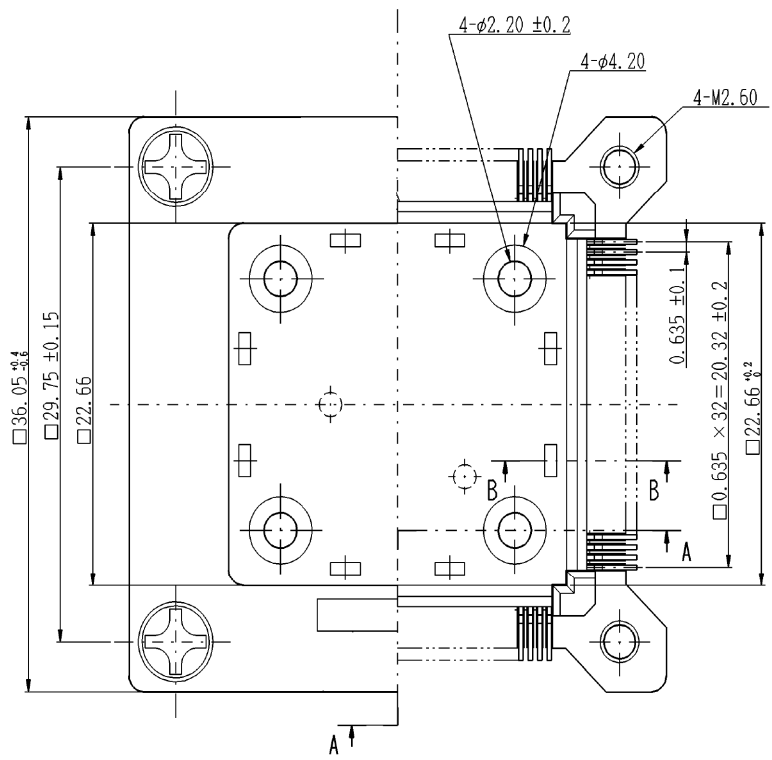


REV	DESCRIPTION	DATE	BY
A	NEW DRAWING	03/17/11	JAG

SKT3618



PACKAGE SPECIFICATIONS	
PIN COUNT =	132
LEAD PITCH =	0.635mm
PACKAGE SIZE =	22.36mm sq.
TIP TO TIP =	27.43mm sq.

NOTE: This is RoHS.

TOLERANCES ±0.3
Unless otherwise specified

ALL DIMENSIONS ARE IN MILLIMETERS UNLESS OTHERWISE SPECIFIED

EMULATION TECHNOLOGY, INC.
— VLSI and SMT ADAPTERS and ACCESSORIES —

759 FLYNN ROAD
CAMARILLO, CA 93012

TEL: (805) 383-8480
FAX: (805) 383-8484

SHEET: 1 OF 1	DATE: 03/17/11	REVISION: A	ASSEMBLY DRAWING
CHECKED:	PREPARED BY: J. GELACIO	ITEM: S-QFP-SM-132-A1	
DO NOT SCALE DRAWING			DESCRIPTION: S-QFP-SM-132-A1