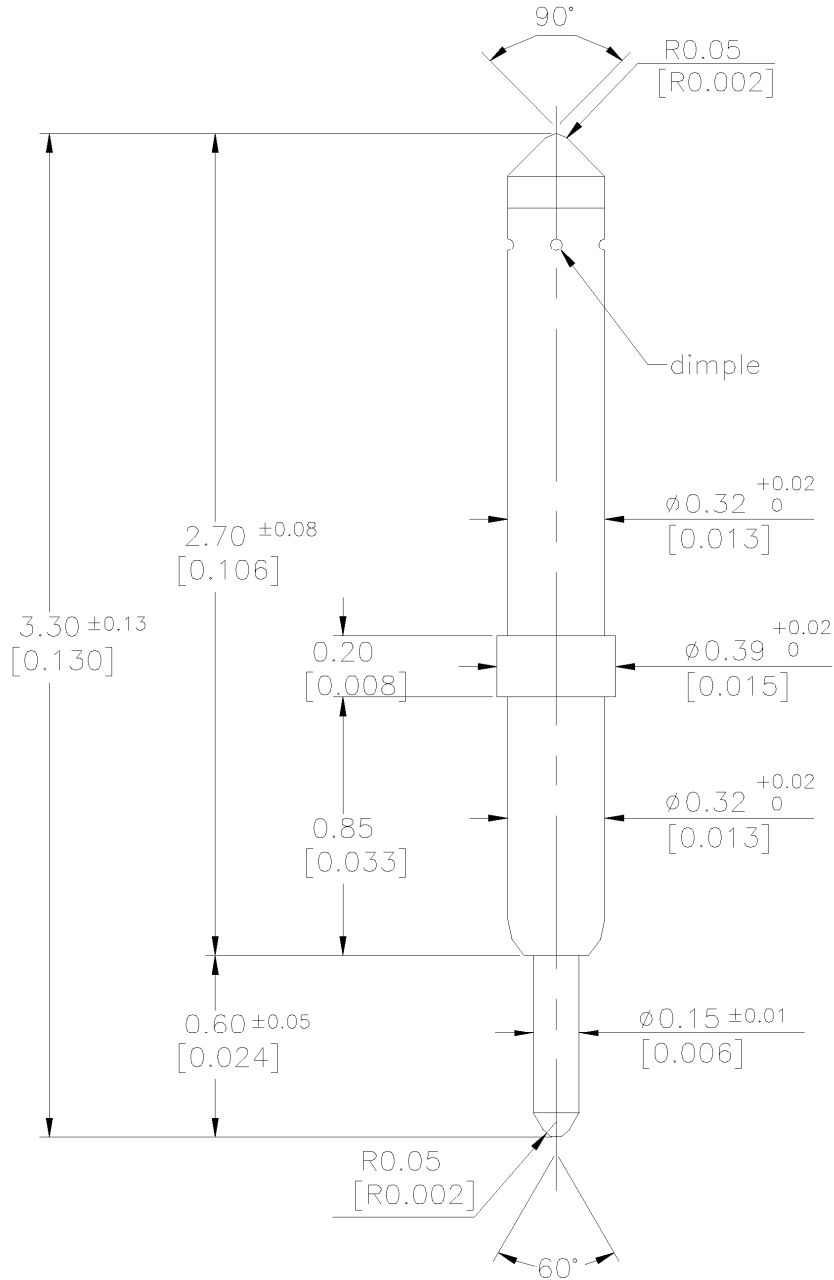


REV	DESCRIPTION	DATE	BY
A	NEW DRAWING	11/10/10	JAG
B	ADDED ELECTRICAL SPECS (PG2)	02/18/16	JAG

SKT3548



STATE	TRAVEL (mm)	SPRING FORCE (g)
INITIAL TRAVEL	--	11.3
RECOMMENDED TRAVEL	0.38	24.4
FULL TRAVEL	0.51	28.8

POINTING ACCURACY ± 0.05 mm		
PART	MATERIAL	FINISH
SPRING	MUSIC WIRE	GOLD PLATED
BARREL	PHOSPHOR BRONZE	GOLD PLATED
TOP PLUNGER	HARDENED BERYLLIUM COPPER	GOLD PLATED
BOTTOM PLUNGER	HARDENED BERYLLIUM COPPER	GOLD PLATED

DIMENSIONS ARE IN MM UNLESS OTHERWISE SPECIFIED TOLERANCES ARE:

X.X ±0.100MM ANGULAR:
X.XX ±0.050MM X.X° ±1.0°
X.XXX ±0.025MM X.XX° ±0.5°

ALL DIMENSIONS ARE IN MILLIMETERS UNLESS OTHERWISE SPECIFIED



EMULATION TECHNOLOGY, INC.

VLSI and SMT ADAPTERS and ACCESSORIES

741 FLYNN ROAD
CAMARILLO, CA 93012

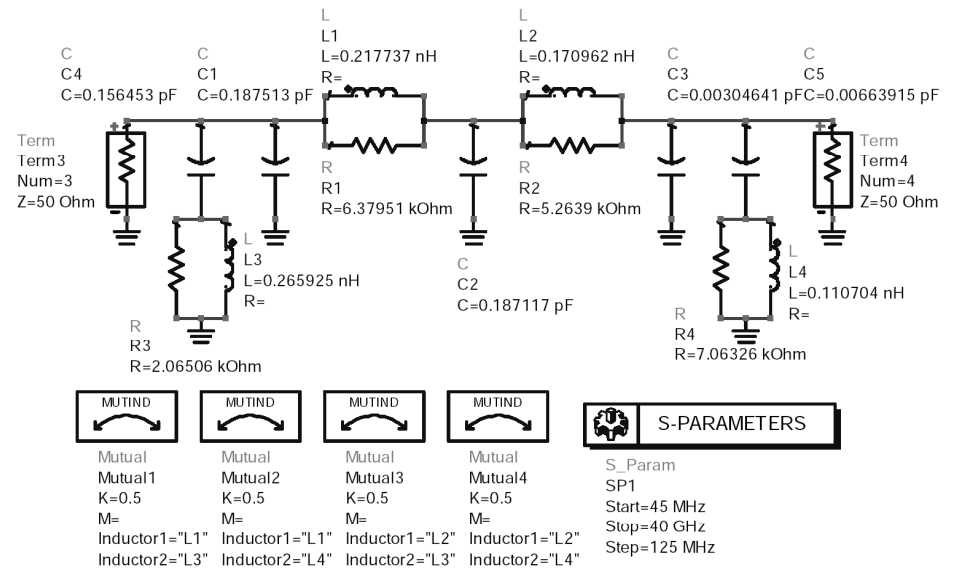
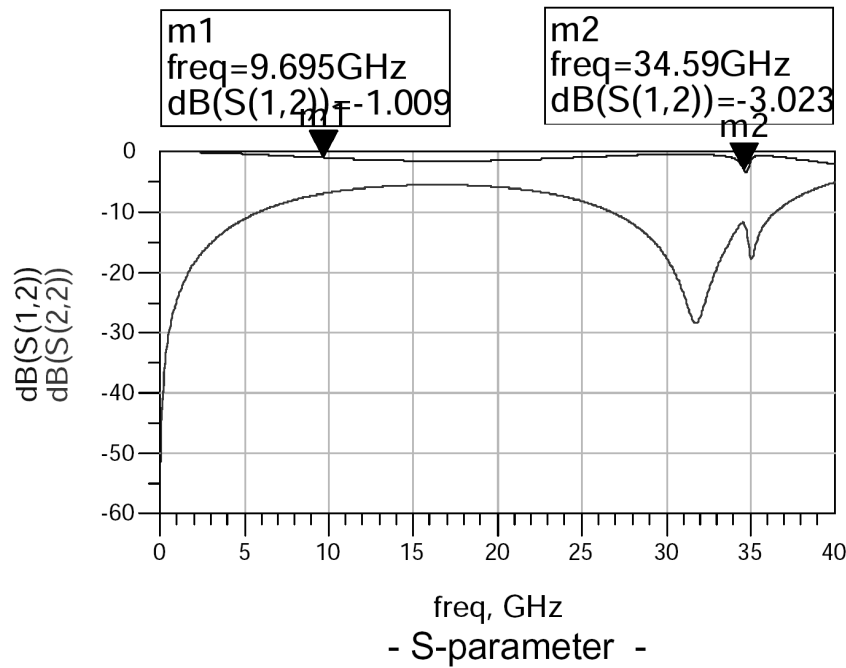
TEL: (805) 383-8480
FAX: (805) 383-8484

SHEET: 1 OF 2	DATE: 11/10/10	REVISION: B	ASSEMBLY DRAWING
CHECKED:	PREPARED BY: J. GELACIO	ITEM: POGO-PIN-3.33-2	
DO NOT SCALE DRAWING			DESCRIPTION: POGO-PIN-3.33-2

Electrical Spec.

- Current Rating : 2.0A Continuous
- Self Inductance : 0.39nH
- Capacitance : 0.54pF
- Bandwidth : 34.59GHz @ -3.023dB
(Dielectric material : ULTEM1000)

- Mutual Inductance : 0.38nH
- Propagation Delay : 21.01ps
- Insertion Loss : -1.009dB @ 9.695GHz



- Equivalent-circuit model -

ALL DIMENSIONS ARE IN MILLIMETERS UNLESS OTHERWISE SPECIFIED			
		EMULATION TECHNOLOGY, INC. VLSI and SMT ADAPTERS and ACCESSORIES	
		741 FLYNN ROAD CAMARILLO, CA 93012	TEL: (805) 383-8480 FAX: (805) 383-8484
SHEET: 2 OF 2	DATE: 02/18/16	REVISION: B	ASSEMBLY DRAWING
CHECKED:	PREPARED BY: J. GELACIO		ITEM: POGO-PIN-3.33-2
DO NOT SCALE DRAWING			DESCRIPTION: POGO-PIN-3.33-2