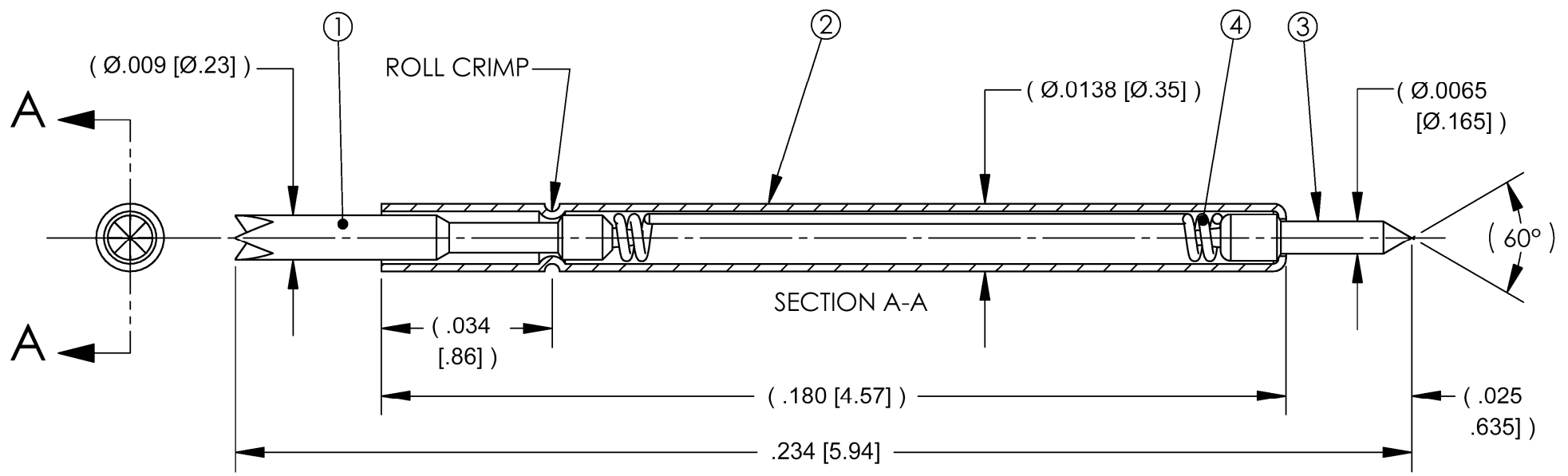


REV	DESCRIPTION	DATE	BY
A	NEW DRAWING	10/07/10	JAG

SKT3531

ITEM	MATERIAL	FINISH	QTY
1	BeCu	Gold	1
2	Phos Bronze	Gold	1
3	BeCu	Gold	1
4	St. Steel	Gold	1



NOTES: UNLESS OTHERWISE SPECIFIED

1. SPRING PRESSURE:
0.3 OZ INITIAL &
0.7 OZ AT 0.020 RECOMMENDED TRAVEL.

UNLESS OTHERWISE SPECIFIED
ALL DIMENSIONS ARE INCHES

TOLERANCES ARE:

- .X = +/- .03
- .XX = +/- .015
- .XXX = +/- .005
- .XXXX = +/- .0005

TAPER ON ANY DIA. = .002/IN. MAX
ALL CORNER RADII = .005 MAX
ANGLES = +/- 2 DEGREES

ALL DIMENSIONS ARE IN INCHES [MM] UNLESS OTHERWISE SPECIFIED

EMULATION TECHNOLOGY, INC.
— VLSI and SMT ADAPTERS and ACCESSORIES —

759 FLYNN ROAD
CAMARILLO, CA 93012

TEL: (805) 383-8480
FAX: (805) 383-8484

SHEET: 1 OF 1 DATE: 10/07/10 REVISION: A

CHECKED: PREPARED BY: J. GELACIO ITEM: ASSEMBLY DRAWING

DESCRIPTION: POGO-PIN-5.94-4

DO NOT SCALE DRAWING