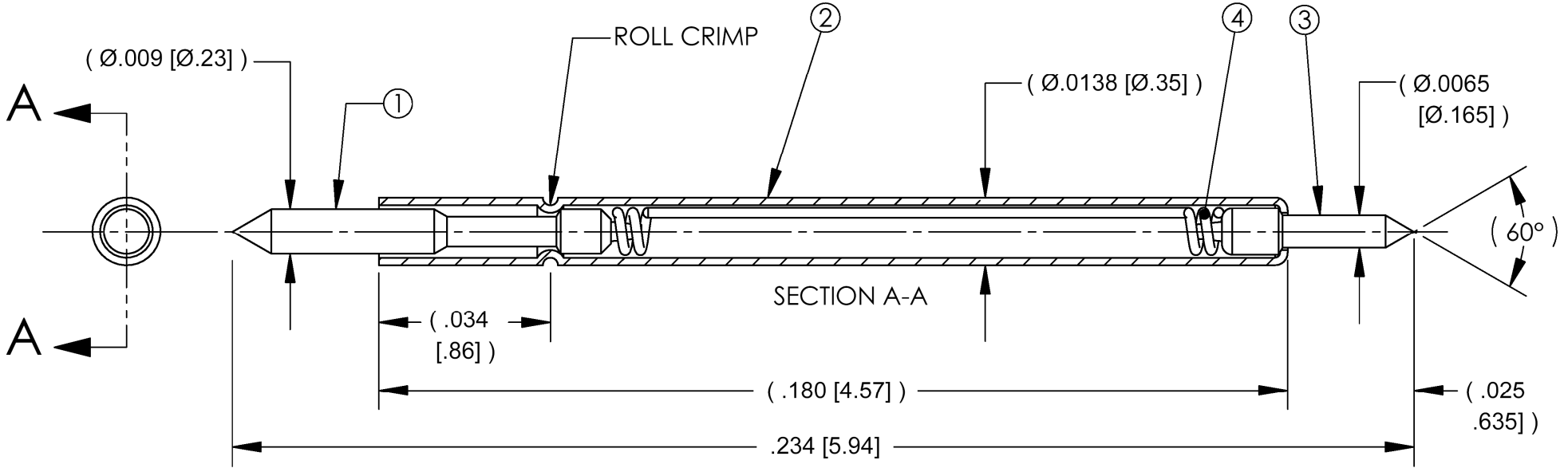


REV	DESCRIPTION	DATE	BY
A	NEW DRAWING	10/07/10	JAG

SKT3530

ITEM	MATERIAL	FINISH	QTY
1	BeCu	Gold	1
2	Phos. Bronze	Gold	1
3	BeCu	Gold	1
4	St. Steel	Gold	1




NOTES: UNLESS OTHERWISE SPECIFIED

1. SPRING PRESSURE:
0.3 OZ INITIAL &
0.7 OZ AT .020 RECOMMENDED TRAVEL.

UNLESS OTHERWISE SPECIFIED
ALL DIMENSIONS ARE INCHES
TOLERANCES ARE:
.X = +/- .03
.XX = +/- .015
.XXX = +/- .005
.XXXX = +/- .0005
TAPER ON ANY DIA. = .002/IN. MAX
ALL CORNER RADII = .005 MAX
ANGLES = +/- 2 DEGREES

ALL DIMENSIONS ARE IN INCHES [MM] UNLESS OTHERWISE SPECIFIED

		EMULATION TECHNOLOGY, INC. VLSI and SMT ADAPTERS and ACCESSORIES	
		759 FLYNN ROAD CAMARILLO, CA 93012	TEL: (805) 383-8480 FAX: (805) 383-8484
SHEET: 1 OF 1	DATE: 10/07/10	REVISION: A	ASSEMBLY DRAWING
CHECKED:	PREPARED BY: J. GELACIO	ITEM: POGO-PIN-5.94-3	DESCRIPTION: POGO-PIN-5.94-3
DO NOT SCALE DRAWING			