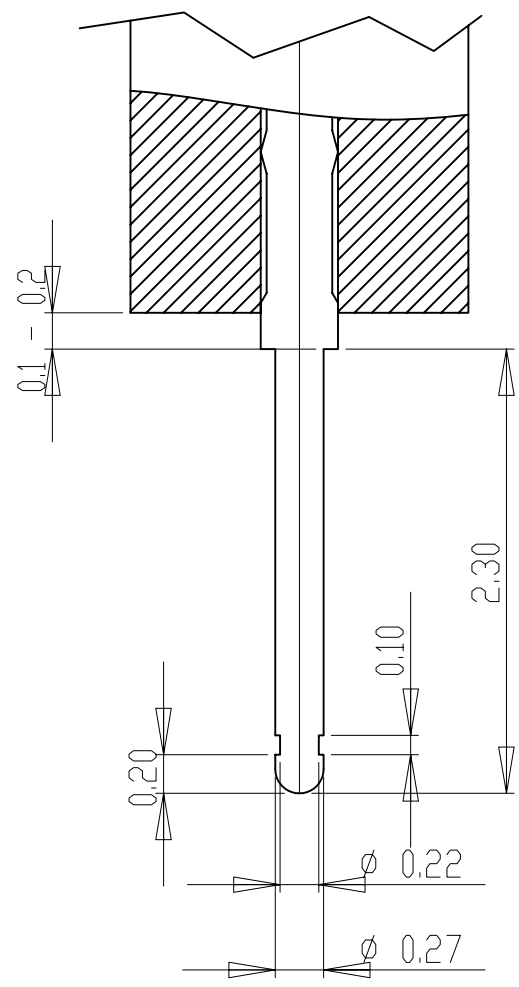


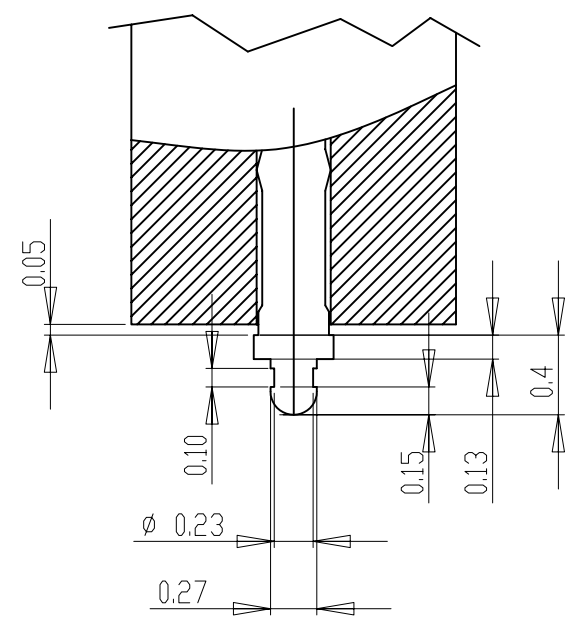
REV	DESCRIPTION	DATE	BY
A	NEW DRAWING	06/28/06	H.N.

ET-0.50mm


0.50mm-0.75mm-29



0.50mm-0.75mm-30



ALL DIMENSIONS ARE IN MILLIMETERS UNLESS OTHERWISE SPECIFIED



Emulation Technology, Inc.
 — VLSI and SMT ADAPTERS and ACCESSORIES —

2344 Walsh Avenue, Bldg.F
 Santa Clara, Ca 95051

TEL:(408)982-0660
 FAX:(408)982-0664

SHEET: 1 OF 1	DATE: 06/28/06	REVISION: A	ASSEMBLY DRAWING
CHECKED: Perry Munroe	DRAWN: Huy Nguyen		
Scale N/A	DO NOT SCALE DRAWING		ITEM: 0.50-0.75mm PITCH PIN DESCRIPTION: 0.50-0.75mm PITCH PIN