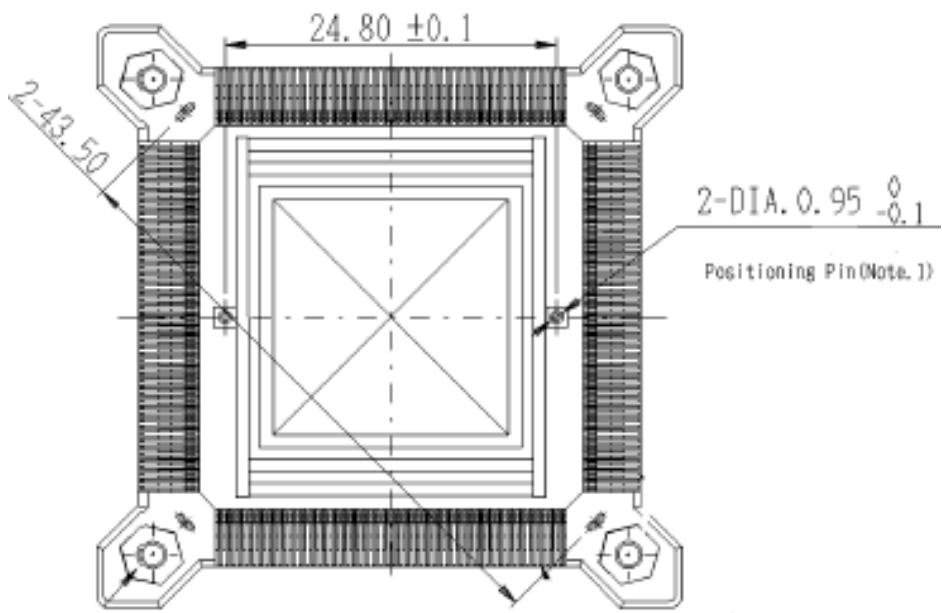
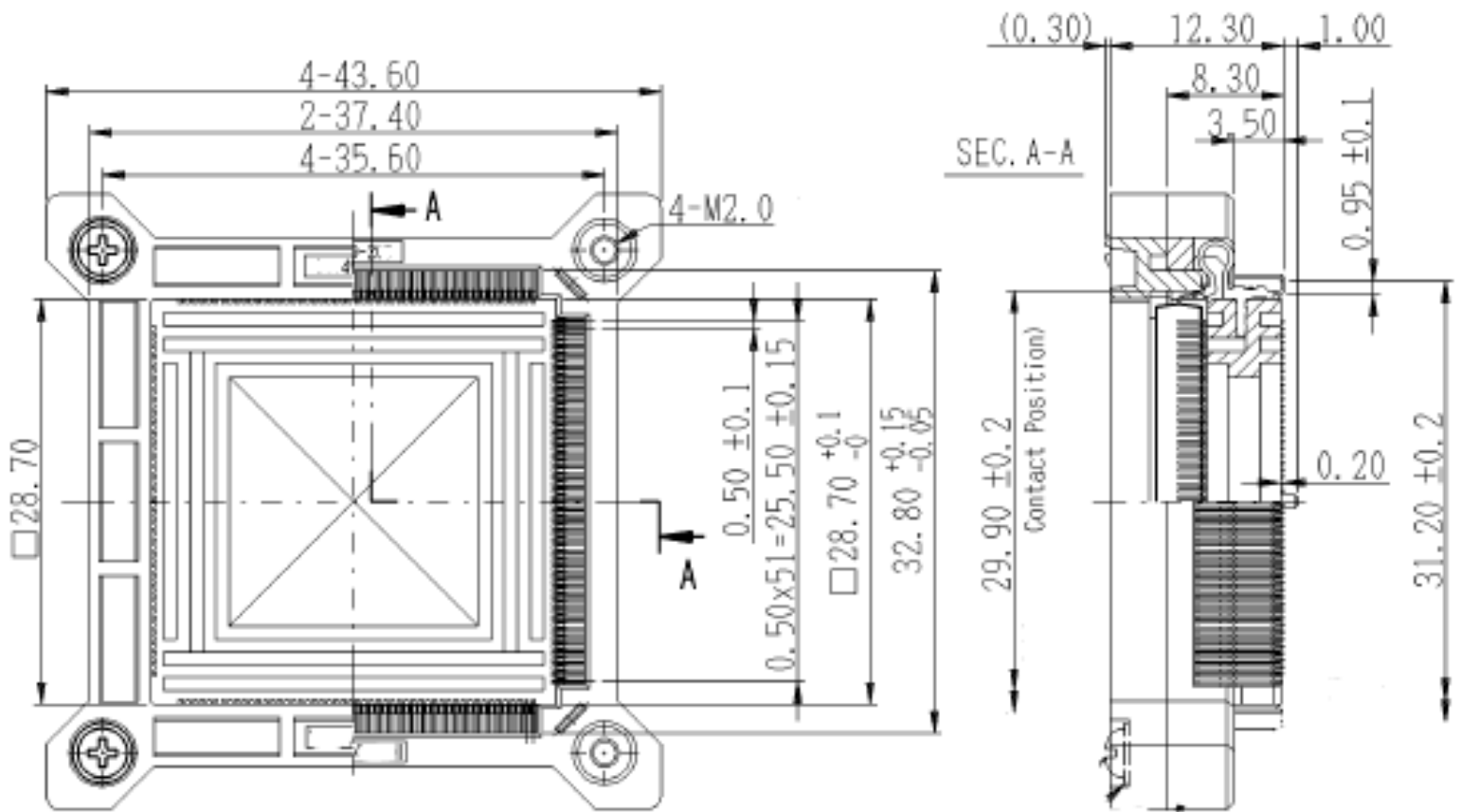


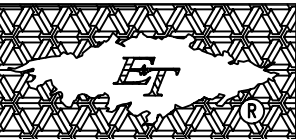
REV	DESCRIPTION	DATE	BY
A	NEW DRAWING	12/14/06	H.N.

SKT2832



PACKAGE SPECIFICATIONS	
PIN COUNT	= 208
LEAD PITCH	= 0.50mm
PACKAGE SIZE	= 28.00mm SQ
TIP TO TIP	= 30.60mm SQ

ALL DIMENSIONS ARE IN MILLIMETERS UNLESS OTHERWISE SPECIFIED



Emulation Technology, Inc.
— VLSI and SMT ADAPTERS and ACCESSORIES —
2344 Walsh Avenue, Bldg.F Santa Clara, Ca 95051
TEL:(408)982-0660 FAX:(408)982-0664

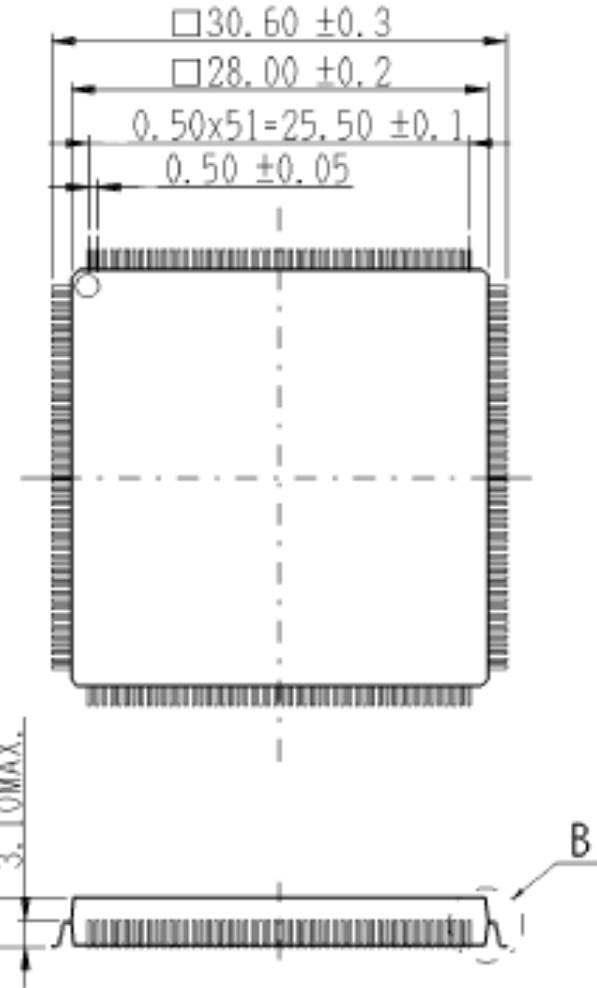
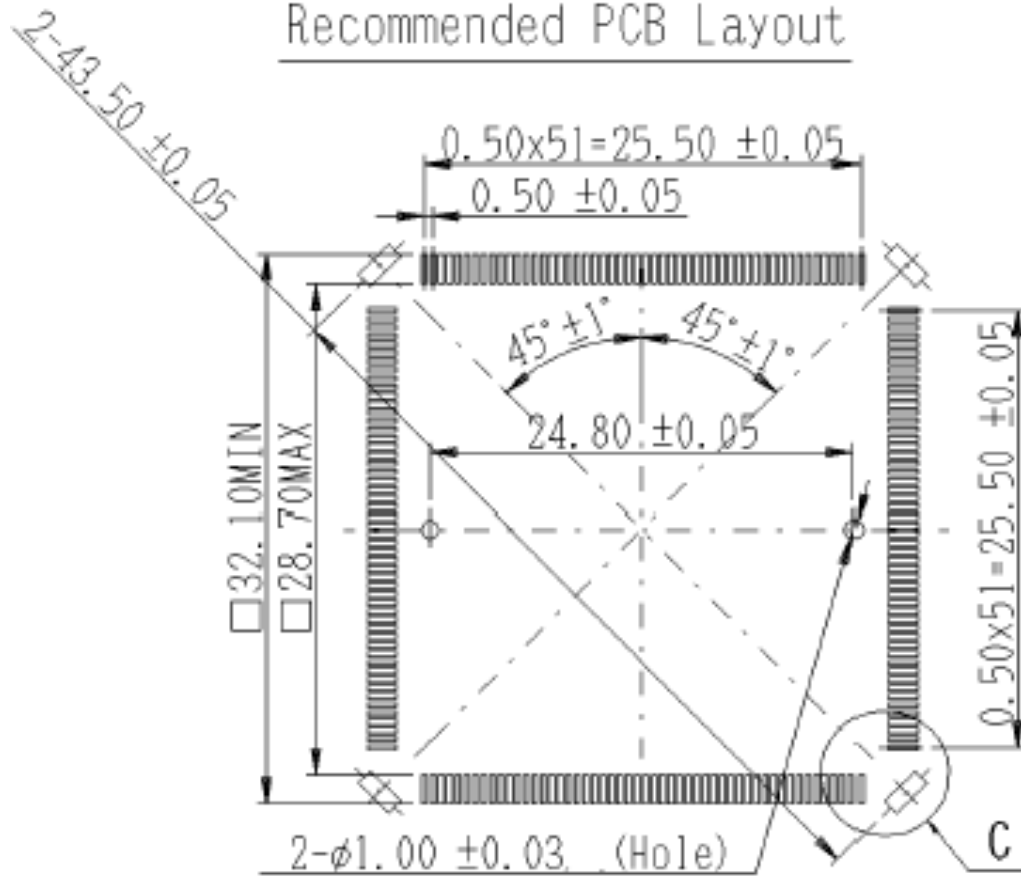
GENERAL TOLERANCES: ±0.3

SHEET: 1 OF 2	DATE: 12/14/06	REVISION: A	ASSEMBLY DRAWING
CHECKED: Perry Munroe	DRAWN: Huy Nguyen	ITEM: S-QFP-SM-208-A3	
Scale N/A DO NOT SCALE DRAWING		DESCRIPTION: S-QFP-SM-208-A3	

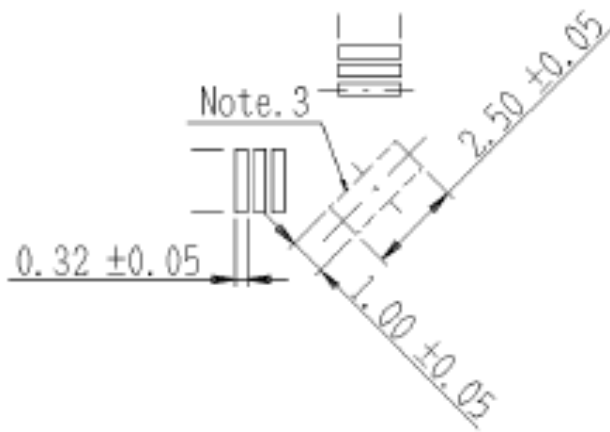
REV	DESCRIPTION	DATE	BY
A	NEW DRAWING	12/14/06	H.N.

SKT2832

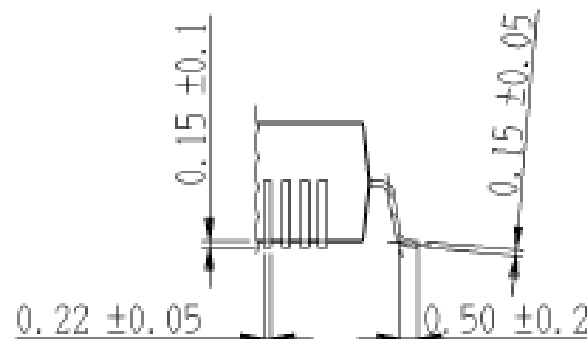
Recommended PCB Layout



DETAIL C (S=5/1)



DETAIL B (S=5/1)



APPLICABLE IC DIMENSION

SHEET: 2 OF 2	ASSEMBLY DRAWING
DATE: 12/14/06	ITEM: S-QFP-SM-208-A3
CHECKED: Perry Munroe	DESCRIPTION: S-QFP-SM-208-A3