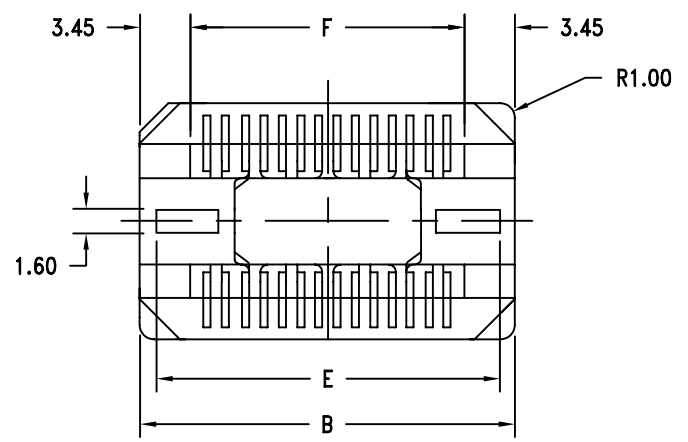
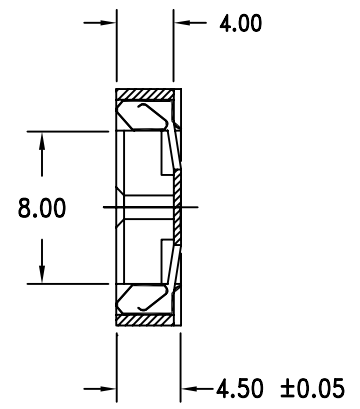
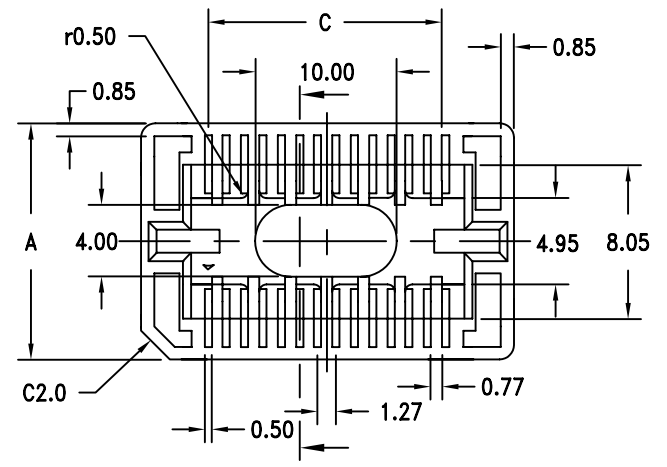


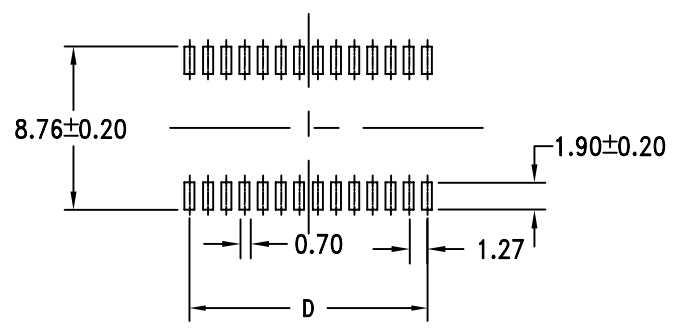
REV	DESCRIPTION	DATE	BY
A	NEW DRAWING	12/06/06	H.N.

SKT2821



A ± 0.15	B ± 0.15	C ± 0.10	D ± 0.10	E ± 0.15	F ± 0.15
13.87	24.53	15.24	15.24	22.91	17.63

RoHS Compliant



ALL DIMENSIONS ARE IN MILLIMETERS UNLESS OTHERWISE SPECIFIED

**Emulation Technology, Inc.**  
 — VLSI and SMT ADAPTERS and ACCESSORIES —

2344 Walsh Avenue, Bldg.F Santa Clara, Ca 95051  
 TEL:(408)982-0660 FAX:(408)982-0664

GENERAL TOLERANCES: ±0.10

SHEET: 1 OF 1	DATE: 12/06/06	REVISION: A	<b>ASSEMBLY DRAWING</b>
CHECKED: Perry Munroe	DRAWN: Huy Nguyen		
Scale N/A	DO NOT SCALE DRAWING		DESCRIPTION: S-SOJ-SM-026-A