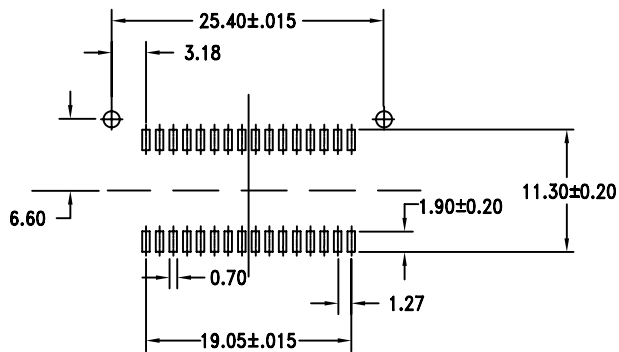
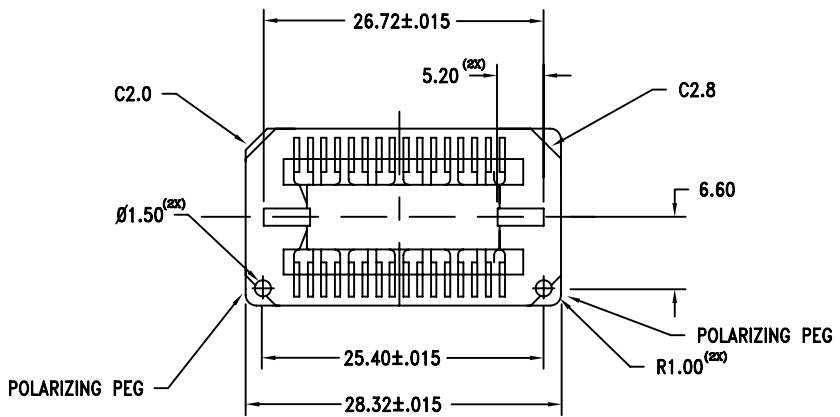
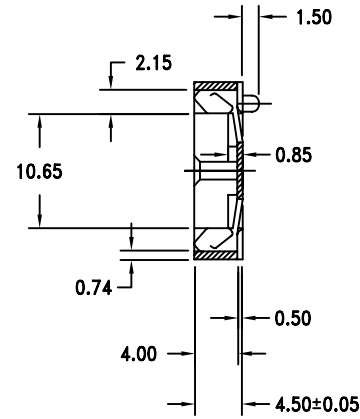
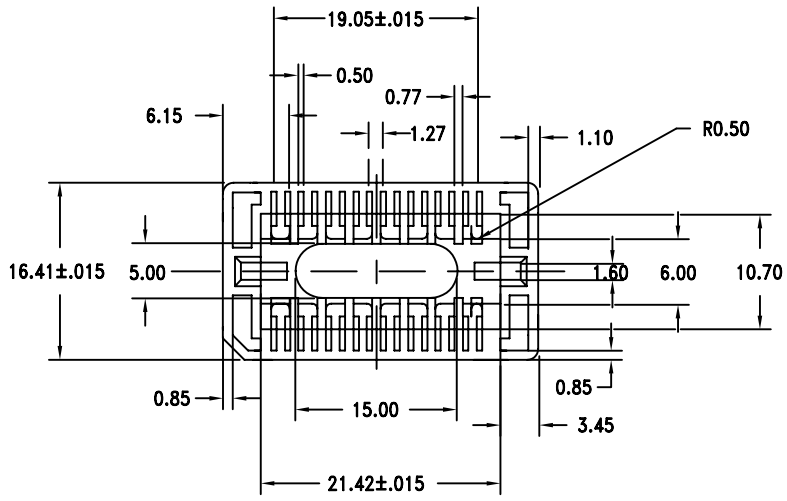


REV	DESCRIPTION	DATE	BY
A	NEW DRAWING	11/27/06	H.N.

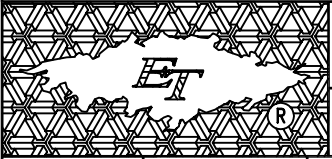
SKT2810



**NOTES:**

- BODY:**  
PPS Thermoplastic, Brown Color, 40% Glass Filled, Self Extinguishing, UL94V-0 Rated
- CONTACT MATERIAL:**  
Phosphor Bronze
- CONTACT FINISH:**  
Tin over Nickel Plating
- CONTACT CURRENT RATING:**  
1 Amp
- CONTACT RESISTANCE:**  
30 Milliohms Max.
- DIELECTRIC WITHSTANDING VOLTAGE:**  
600 VAC Min. for 1 Minute
- INSULATION RESISTANCE:**  
1000 Megohms Min.
- OPERATING TEMPERATURE:**  
-55°C to +125°C

ALL DIMENSIONS ARE IN MILLIMETERS UNLESS OTHERWISE SPECIFIED



**Emulation Technology, Inc.**  
— VLSI and SMT ADAPTERS and ACCESSORIES —  
2344 Walsh Avenue, Bldg.F Santa Clara, Ca 95051  
TEL:(408)982-0660 FAX:(408)982-0664

SHEET: 1 OF 1	DATE: 11/27/06	REVISION: A	<b>ASSEMBLY DRAWING</b>
CHECKED: Perry Munroe	DRAWN: Huy Nguyen	ITEM: S-SOJ-SM-032-A1	DESCRIPTION: S-SOJ-SM-032-A1
Scale	DO NOT SCALE DRAWING		

RoHS Compliant