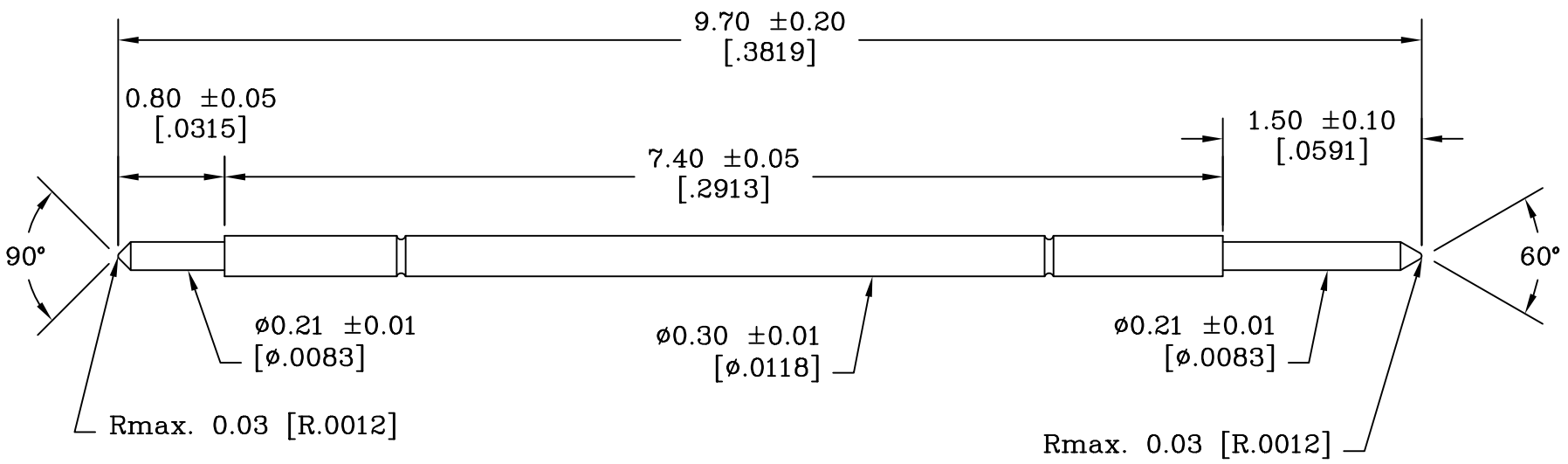


REV	DESCRIPTION	DATE	BY
A	NEW DRAWING	10/25/06	H.N.
B	ADDED TEMP NOTE	10/14/10	JAG
C	ADDED ELECTRICAL TEST DATA, PG2	08/31/16	JAG

SKT2781



OPERATING TEMPERATURE: -40°C TO +120°C

POINTING ACCURACY: 0.03mm

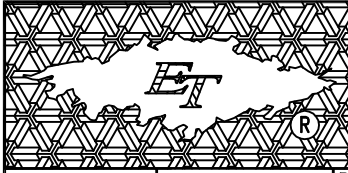
SPRING FORCE: [±30%]

- 3.3g(0.116oz) AT INITIAL TRAVEL
- 6.4g(0.226oz) AT 0.80mm(.0315) RECOMMENDED TRAVEL
- 8.4g(0.296oz) AT 1.30mm(.0512) FULL TRAVEL

MATERIAL & FINISH:

- PLUNGER: HARDENED STEEL / GOLD PLATED
- BARREL: NICKEL SILVER / GOLD PLATED
- SPRING: MUSIC WIRE / GOLD PLATED

UNIT: MILLIMETER [INCH]

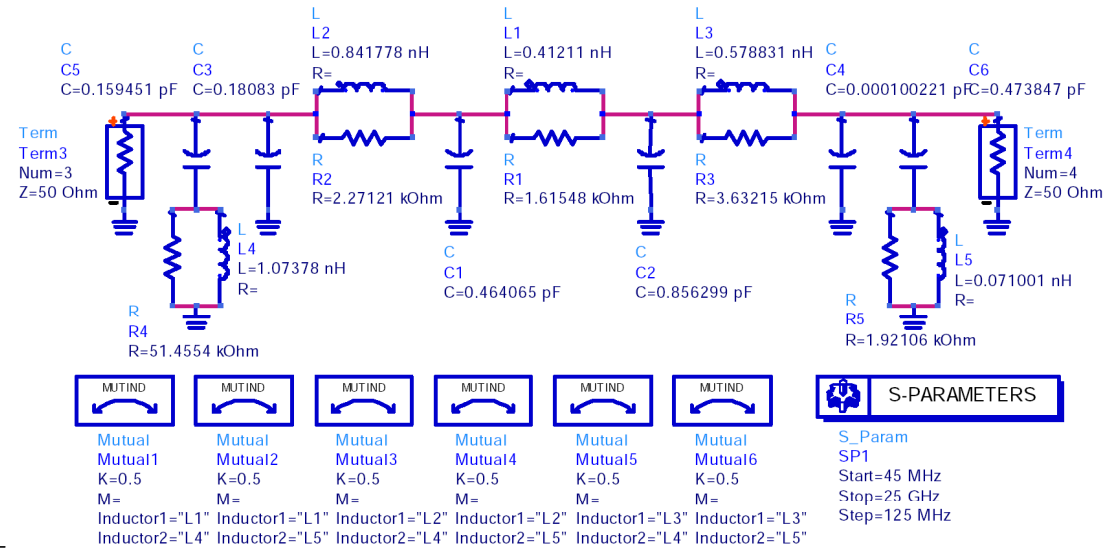
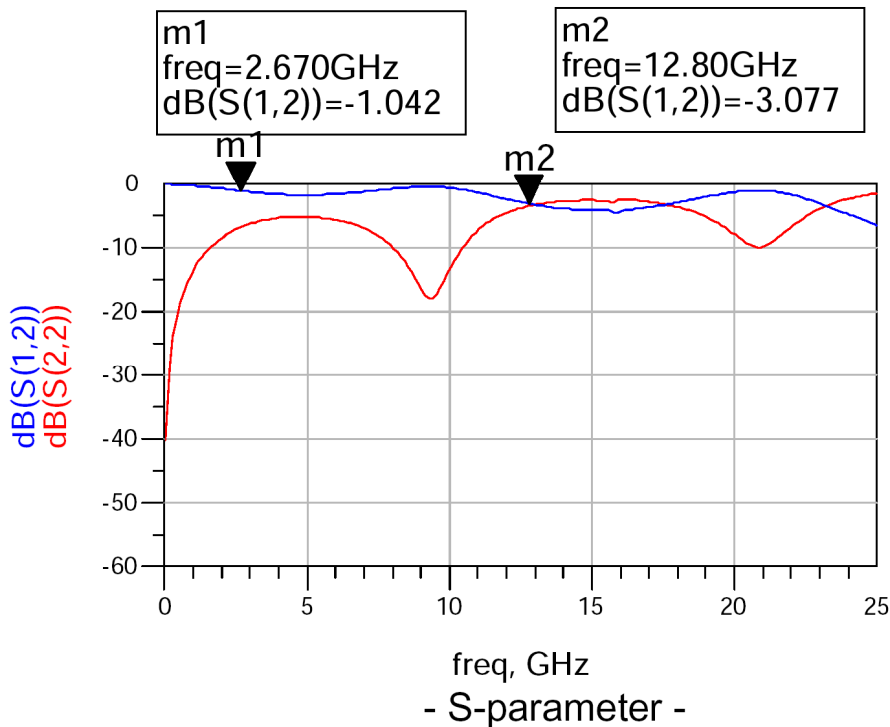


Emulation Technology, Inc.
 — VLSI and SMT ADAPTERS and ACCESSORIES —
 741 FLYNN ROAD
 CAMARILLO, CA 93012
 TEL:(805)383-8480
 FAX:(805)383-8484

SHEET: 1 OF 2	DATE: 10/25/06	REVISION: C	ASSEMBLY DRAWING
CHECKED: Perry Munroe	DRAWN: Huy Nguyen	ITEM: POGO-PIN-9.70-1	
Scale: N/A	DO NOT SCALE DRAWING		DESCRIPTION: POGO-PIN-9.70-1

Electrical Spec.

- Current Rating : 0.5A Continuous
 - Self Inductance : 1.83nH
 - Capacitance : 2.13pF
 - Bandwidth : 12.37GHz @ -3.055dB
 - Mutual Inductance : 1.45nH(K=0.5)
 - Propagation Delay : 74.24ps
 - Insertion Loss : -1.042dB @ 2.670GHz
- (Dielectric material : ULTEM1000 & Air)



- Equivalent-circuit model -

Electrical measure system

Measuring Equipment

: Agilent 8510C network analyzer.

Hewlett-Packard 54750A TDR module

ALL DIMENSIONS ARE IN MILLIMETERS UNLESS OTHERWISE SPECIFIED			
		EMULATION TECHNOLOGY, INC. VLSI and SMT ADAPTERS and ACCESSORIES	
		741 FLYNN ROAD CAMARILLO, CA 93012	TEL: (805) 383-8480 FAX: (805) 383-8484
SHEET: 2 OF 2	DATE: 08/31/16	REVISION: C	ASSEMBLY DRAWING
CHECKED:	PREPARED BY: J. GELACIO	ITEM: POGO-PIN-9.70-1	DESCRIPTION: POGO-PIN-9.70-1
DO NOT SCALE DRAWING			POGO-PIN-9.70-1