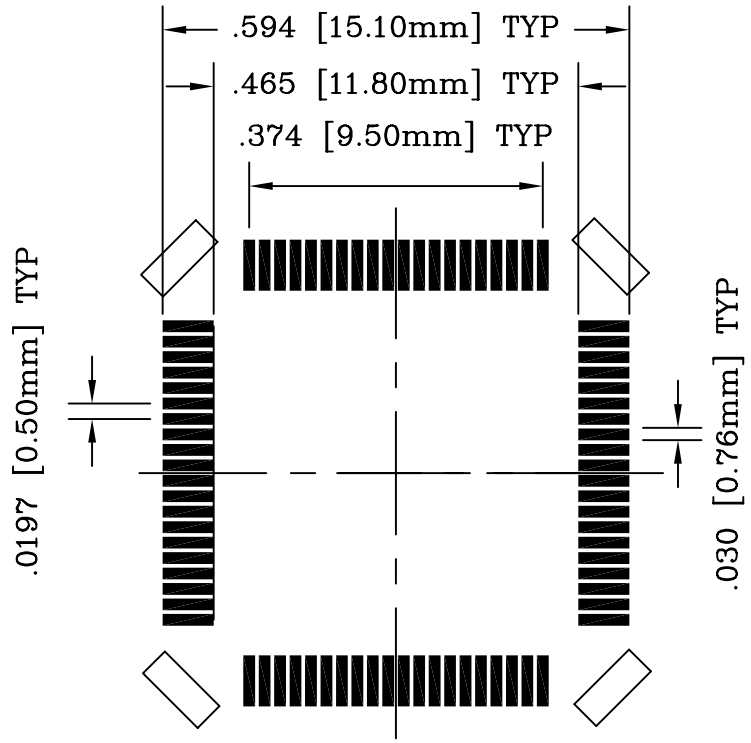
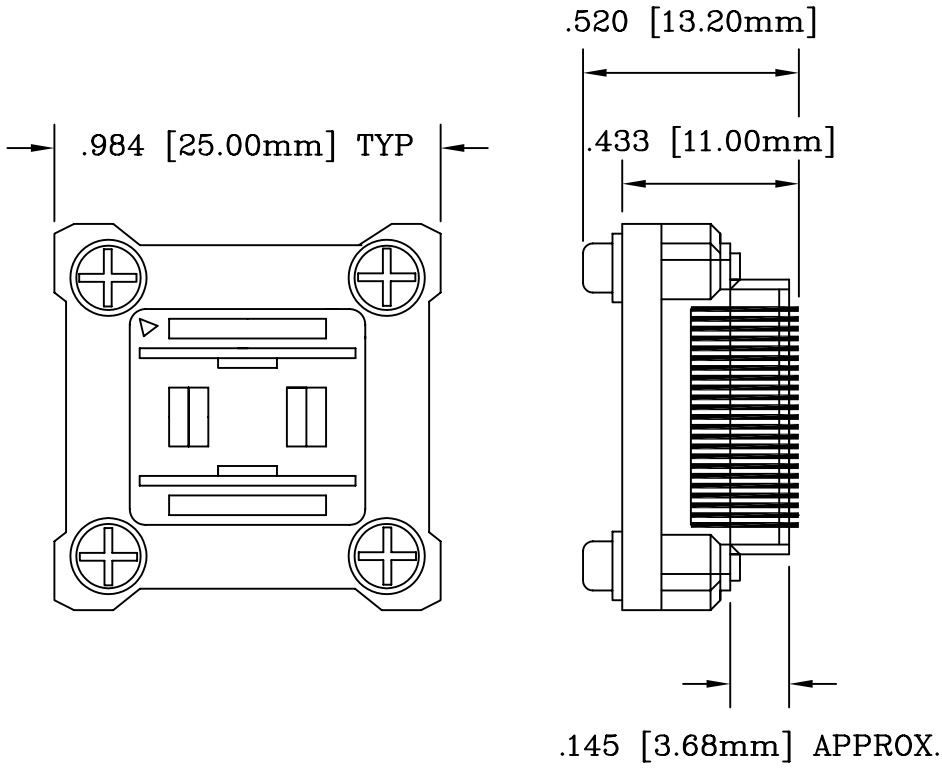


REV	DESCRIPTION	DATE	BY
A	NEW DRAWING	08/25/06	H.N.

SKT2708

SCALE 4:1

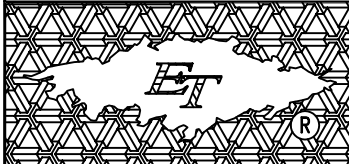


RECOMMENDED SMT LAYOUT

RoHS Compliant

PACKAGE SPECIFICATIONS	
PIN COUNT	≡ 80
LEAD PITCH	≡ 0.50mm
PACKAGE SIZE	≡ 12.00mm
TIP TO TIP	≡ 14.00mm
PACKAGE CODE	≡ 80-QF47D

ALL DIMENSIONS ARE IN INCHES UNLESS OTHERWISE SPECIFIED



**Emulation Technology, Inc.**  
 — VLSI and SMT ADAPTERS and ACCESSORIES —  
 2344 Walsh Avenue, Bldg.F Santa Clara, Ca 95051  
 TEL:(408)982-0660 FAX:(408)982-0664

SHEET: 1 OF 1	DATE: 08/25/06	REVISION: A	<b>ASSEMBLY DRAWING</b>
CHECKED: Perry Munroe	DRAWN: Huy Nguyen	ITEM: S-QFP-SM-080-E1	DESCRIPTION: S-QFP-SM-080-E1
Scale 2:1	DO NOT SCALE DRAWING		