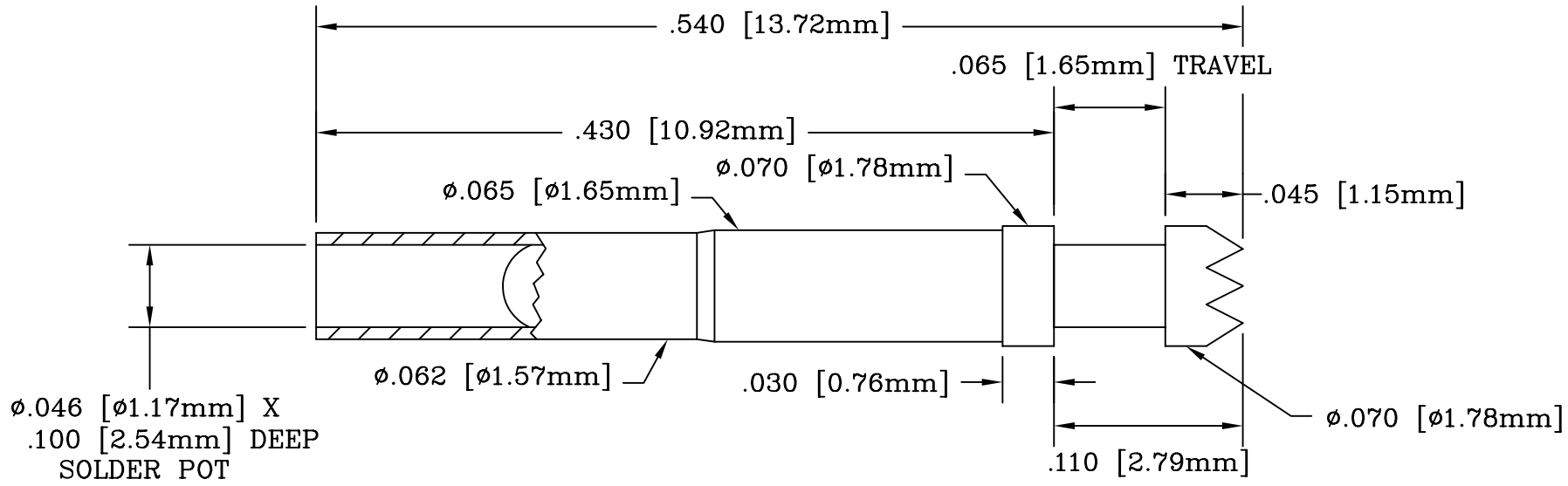


REV	DESCRIPTION	DATE	BY
A	NEW DRAWING	08/22/06	H.N.

SKT2620



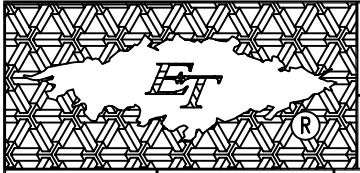
PROBE SPECIFICATIONS

Plunger	Gold-plated hardened BeCu
Body	Gold-plated brass
Spring	Gold-plated BeCu
Ball	Gold-plated stainless steel
Electrical Resistance	<30 milliohms
Maximum Current	5 amps
Plunger Travel	.065 (1.65)

The recommended hole is .0670 (#51 drill) for epoxy mounting.

Spring Force in oz. (grams)	
Spring Type	Initial Working travel
Standard	1.5 (43) 3.0 (85)

TEMPERATURE RATING: -55°C TO +85°C



Emulation Technology, Inc.
 — VLSI and SMT ADAPTERS and ACCESSORIES —
 2344 Walsh Avenue, Bldg.F Santa Clara, Ca 95051
 TEL:(408)982-0660 FAX:(408)982-0664

SHEET: 1 OF 1	DATE: 08/22/06	REVISION: A	ASSEMBLY DRAWING
CHECKED: Perry Munroe	DRAWN: Huy Nguyen		ITEM: POGO-PIN-13.7-1
Scale 10:1	DO NOT SCALE DRAWING		DESCRIPTION: POGO-PIN-13.7-1