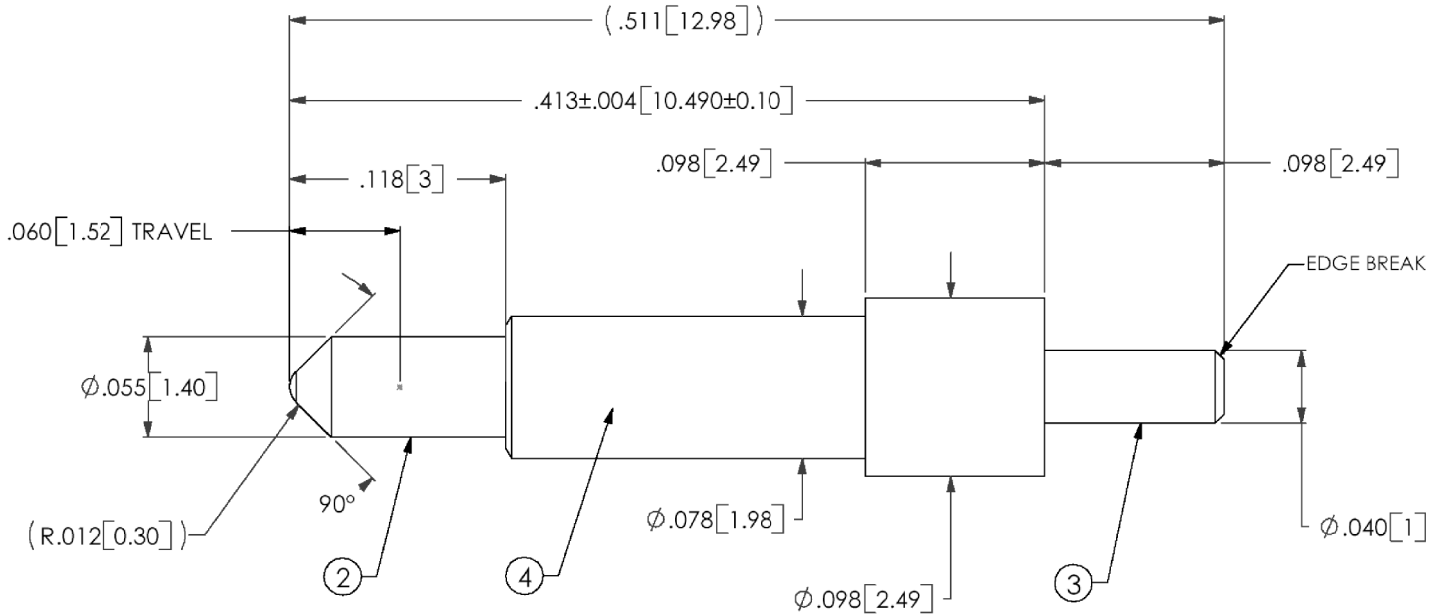
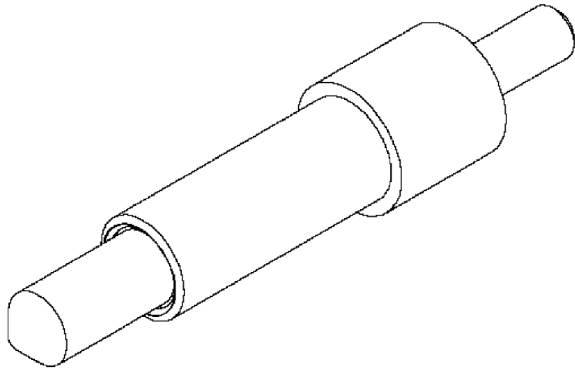


REV	DESCRIPTION	DATE	INIT
A	NEW DRAWING	04/19/06	K.B
B	UPDATE DRAWING	02/13/08	JAG



Probe Specifications

Mechanical
 Full Travel: .110 (2.79)
Recommended Travel: .060 (1.52)
Mechanical Life Exceeds: 250 x 10⁶ cycles

Operating Temperature: -55°C to +85°C
 Consult factory for other temperature requirements.

Electrical (Static Conditions) 5 amps d.c. max
 Maximum Current Rating (Non-inductive DC)
Average Probe Resistance 30 mΩ

Materials and Finishes
 Plunger: Hard nickel over beryllium copper, gold plated
 Barrel: Gold plated Hard nickel over brass
 Spring: Standard: Beryllium copper, silver plated
 Alternate: Music wire

Mounting Hole Size: .043 (1.09) min

Spring Force in oz. (grams)

Spring Type	Preload	Recommended Travel
Standard	0.40 (11.35)	1.14 (32.35)
Alternate	1.0 (28.38)	3.0 (85.13)

Tip Styles B

Termination

UNLESS OTHERWISE SPECIFIED:
 DIMENSIONS ARE IN INCHES
 TOLERANCES ARE:
 .X=±.06 ANGLES=±2'
 .XX=±.03
 .XXX=±.005
 .XXXX=±.0005
 TAPER ON ANY DIA. .002/IN MAX
 ALL CORNER RADII .002 MAX

Applications

EMULATION probes are used in battery charger or electronic device applications such as:

1. Camcorders
2. Circuit board to board docking stations
3. Cellular phones
4. 2-way radios
5. Computer docking stations
6. Cordless phones
7. Chargers
8. InkJet Printers
9. Notebook and laptop computers
10. AC/DC power supplies

Benefits and Features

1. Low resistance (average 16 milliohms)
2. Better contact than nickel-plated strip contacts
3. Maintains high compliancy
4. Less susceptible to damage
5. Can accomodate up to .025" subsurface battery mating contact
6. Longer life than conventional interconnects

Notes: Consult factory for higher temperature applications

LENGTH 12.98mm	PLUNGER D
PITCH 2.65mm	(SINGLE PLUNGER)

ALL DIMENSIONS ARE IN INCHES UNLESS OTHERWISE SPECIFIED



Emulation Technology, Inc.

-VLSI and SMT ADAPTERS and ACCESSORIES-

www.emulation.com

TEL: (805)383-8480

759 FLYNN ROAD, CAMARILLO, CA 93012

FAX: (805)383-8484

SHEET: 1 OF 1	DATE: 04/19/06	REVISION: B	ASSEMBLY DRAWING
CHECKED:	DRAWN: K.BURNS	ITEM: POGO-PIN-13.0-2	
DO NOT SCALE DRAWING		DESCRIPTION: POGO-PIN-13.0-2	