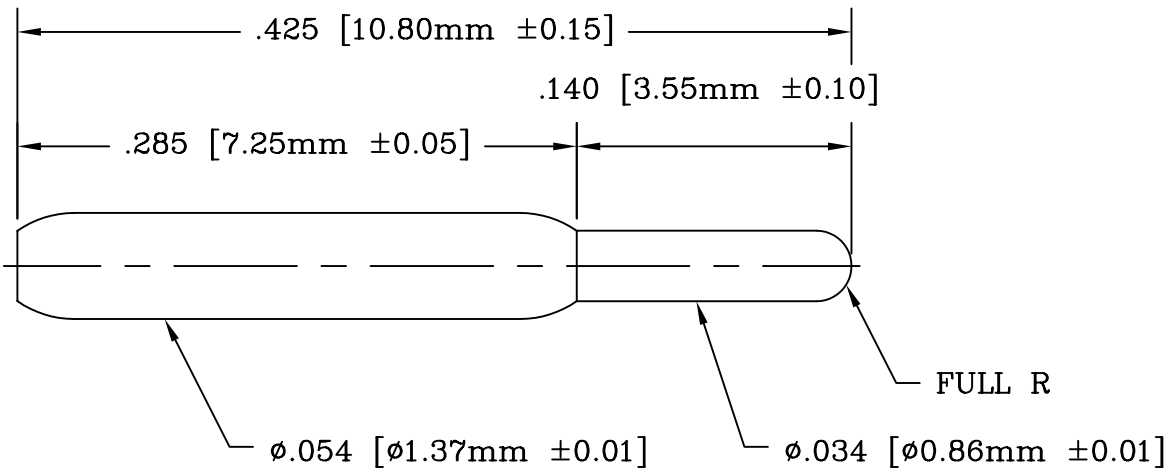


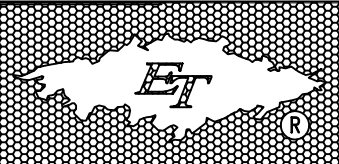
REV	DESCRIPTION	DATE	BY
A	NEW DRAWING	12/15/05	H.N.

SKT2509



- NOTES:
- SPRING: MUSIC WIRE
 - POINTING ACCURACY: \pm 0.10mm
 - SPRING FORCE [\pm 20%]
 - 20.0g(0.71oz) AT INITIAL TRAVEL
 - 99.0g(3.49oz) AT .125 [3.18mm] RECOMMENDED TRAVEL
 - 108.0g(3.81oz) AT .140 [3.55mm] FULL TRAVEL
 - MATERIAL & FINISH
 - PLUNGER HARDENED BERYLIUM COPPER /GOLD PLATED
 - BARREL BRASS /GOLD PLATED
 - SPRING MUSIC WIRE /GOLD PLATED

ALL DIMENSIONS ARE IN INCHES UNLESS OTHERWISE SPECIFIED



Emulation Technology, Inc.
— VLSI and SMT ADAPTERS and ACCESSORIES —

2344 Walsh Avenue, Bldg.F Santa Clara, Ca 95051
TEL:(408)982-0660 FAX:(408)982-0664

SHEET: 1 OF 1	DATE: 12/15/05	REVISION: A	ASSEMBLY DRAWING
CHECKED: Perry Munroe	DRAWN: Huy Nguyen		
Scale 10:1	DO NOT SCALE DRAWING		DESCRIPTION: POGO-PIN-10.8-2