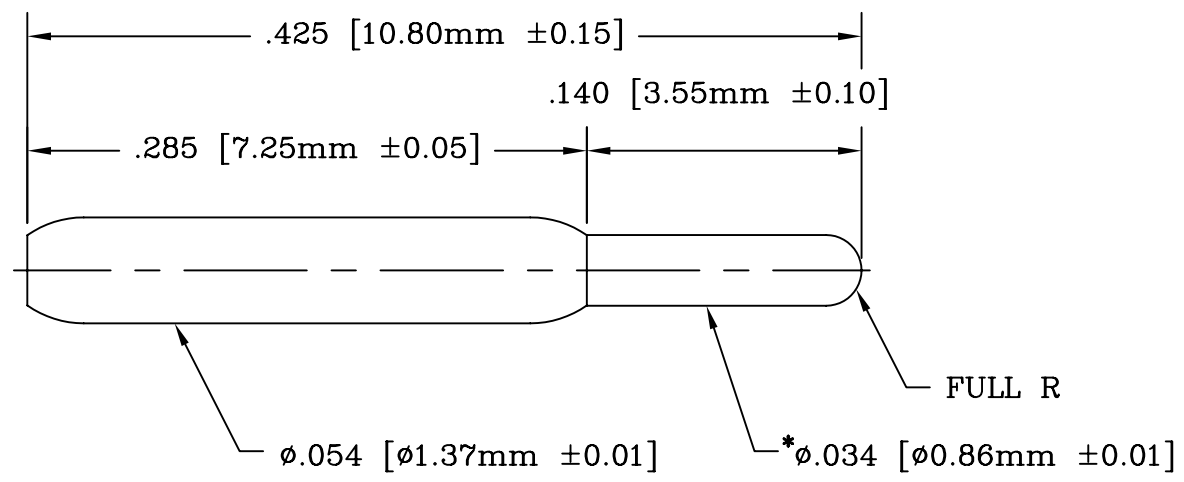


REV	DESCRIPTION	DATE	BY
A	NEW DRAWING	12/15/05	H.N.

SKT2508



- NOTES:
- SPRING: STAINLESS STEEL
 - POINTING ACCURACY: $\pm 0.10\text{mm}$
 - *SPRING FORCE [$\pm 20\%$]
 - 8.0g(0.28oz) AT INITIAL TRAVEL
 - 75.0g(2.65oz) AT .125 [3.18mm] RECOMMENDED TRAVEL
 - 85.0g(3.00oz) AT .140 [3.55mm] FULL TRAVEL
 - MATERIAL & FINISH
 - PLUNGER HARDENED BERYLIUM COPPER /GOLD PLATED
 - BARREL BRASS /GOLD PLATED
 - SPRING STAINLESS STEEL /GOLD PLATED

ALL DIMENSIONS ARE IN INCHES UNLESS OTHERWISE SPECIFIED

Emulation Technology, Inc.
 — VLSI and SMT ADAPTERS and ACCESSORIES —
 2344 Walsh Avenue, Bldg.F Santa Clara, Ca 95051
 TEL:(408)982-0660 FAX:(408)982-0664

SHEET: 1 OF 1	DATE: 12/15/05	REVISION: A	ASSEMBLY DRAWING
CHECKED: Perry Munroe	DRAWN: Huy Nguyen	ITEM: POGO-PIN-10.8-1	
Scale 10:1	DO NOT SCALE DRAWING		DESCRIPTION: POGO-PIN-10.8-1